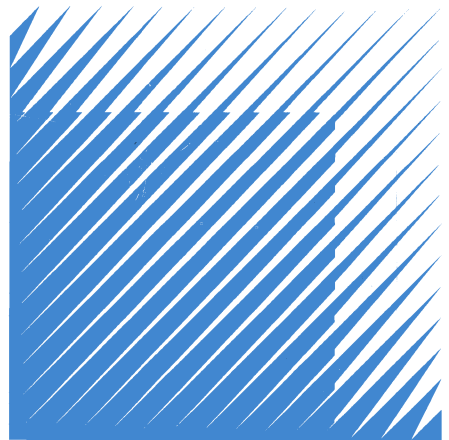


User's Guide

Monitor 1940/42



 **Commodore**

IMPORTANT SAFEGUARDS

1. Read all of these instructions.

2. Save these instructions for later use.



3. Unplug this monitor from the wall outlet before cleaning. Do not use liquid cleaners or aerosol cleaners. Use a damp cloth for cleaning.

4. Do not use attachments not recommended by the monitor manufacturer as they may cause hazards.

5. Do not use this monitor water for example, near a bathtub, washbowl, kitchen sink, or laundry tub, in a wet basement, or near a swimming pool, etc.



6. Do not place this monitor on an unstable cart, stand, or table. The monitor may fall, causing serious injury to a child or adult, and serious damage to the appliance.



7. Slots and openings in the cabinet and the back or bottom are provided for ventilation, and to ensure reliable operation of the monitor and to protect it from overheating, these openings must not be blocked or covered. The openings should never be blocked by placing the monitor on a bed, sofa, rug, or other similar surface. This should never be placed near or over a radiator or heat register. This monitor should not be placed in a built-in installation such as a bookcase unless proper ventilation is provided.



8. This monitor should be operated only from the type of power source indicated on the marking label. If you are not sure of the power supplied to your home, consult your monitor dealer or local power company.



9. This monitor is equipped with a 3-wire grounding type plug, a plug having a third (grounding) pin. This plug will only fit into a grounding-type power outlet. This is a safety feature. If you are unable to insert the plug into the outlet, contact your electrician to replace your obsolete. Do not defeat the purpose of the grounding-type plug.



10. Do not allow anything to rest on the power cord. Do not locate this monitor where the cord will be abused by persons walking on it.

11. Follow all warning and instructions marked on the monitor.



12. For added protection for this monitor during a lightning storm, or when it is left unattended and unused for long periods of time, unplug it from the wall outlet.

This will prevent damage to the set due to lightning and powerline surges.

13. Do not overload wall outlets and extension cords as this can result in fire or electric shock.

14. Never push objects of any kind into this monitor through cabinet slots, as they may touch dangerous voltage points or short out parts that could result in a fire or electric shock.

Never spill liquid of any kind on the monitor.



15. Do not attempt to service this monitor yourself as opening or removing covers may expose you to dangerous voltage or other hazards. Refer all servicing to qualified service personnel.

16. Unplug this monitor from the wall outlet and refer servicing to qualified service personnel under the following conditions:

- When the power cord or plug is damaged or frayed.
- If liquid has been spilled into the monitor.
- If the monitor has been exposed to rain or water.
- If the monitor does not operate normally by following the operating instructions. Adjust only those controls that are covered by the operating instructions as improper adjustment of other controls may result in damage and will often require extensive work by a qualified technician to restore the monitor set to normal operation.
- If the monitor has been dropped or the cabinet has been damaged.
- When the monitor exhibits a distinct change in performance this indicates a need for service.

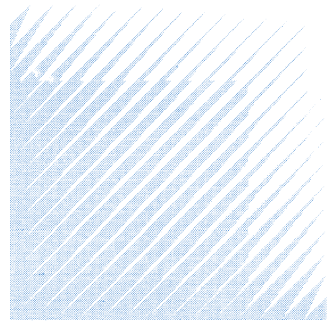


17. When replacement parts are required, be sure the service technician has used replacement parts specified by the manufacturer that have the same characteristics as the original part. Unauthorized substitutions may result in fire, electric shock, or other hazards.

18. Upon completion of any service or repairs to this monitor, ask the service technician to perform routine safety checks to determine that the monitor is in safe operating condition.

User's Guide

Monitor 1940/42



 Commodore

Contents

English	Page	GB-1-GB-13
Deutsch	Seite	D-1-D-13
Français	Page	F-1-F-13
Español	Página	E-1-E-13
Italiano	Pagina	I-1-I-13
Nederlands	Pagina	DU-1-DU-13

Copyright © 1992 by Commodore Electronics Ltd. All Rights Reserved. This document may not, in whole or in part, be copied, photocopied, reproduced, translated, or reduced to any electronic medium or machine readable form, without prior consent, in writing, from Commodore Electronics Ltd.

With this document, Commodore makes no warranties or representations, either expressed, or implied, with respect to the products described herein. The information presented herein is supplied on an "AS IS" basis and is expressly subject to change without notice. IN NO EVENT WILL COMMODORE BE LIABLE FOR DIRECT, INDIRECT, INCIDENTAL, OR CONSEQUENTIAL DAMAGES RESULTING FROM ANY CLAIM ARISING OUT OF THE REPRESENTATIONS MADE HEREIN, EVEN IF IT HAS BEEN ADVISED OF THE POSSIBILITIES OF SUCH DAMAGES. SOME STATES DO NOT ALLOW THE EXCLUSION OR LIMITATION OF SUCH WARRANTIES OR DAMAGES, SO THE ABOVE EXCLUSION OR LIMITATIONS MAY NOT APPLY.

Commodore and the Commodore logo are registered trademarks of Commodore Electronics Limited in the USA and many other countries. Amiga is a registered trademark of Commodore-Amiga, Inc. in the USA and many other countries.

VGA is a registered trademark of International Business Machines Corporation.

NOTE: This equipment has been tested and found to comply with the limits for a Class B digital device, pursuant to Part 15 of FCC Rules. These limits are designed to provide reasonable protection against harmful interference in a residential installation. This equipment generates, uses and can radiate radio frequency energy and, if not installed and used according with the instructions, may cause harmful interference to radio communications. However, there is no guarantee that interference will not occur in a particular installation. If this equipment does cause harmful interference in radio or television reception, which can be determined by turning the equipment off and on, the user is encouraged to try to correct the interference by one or more of the following measures: (1) Reorient or relocate the receiving antenna, (2) Increase the separation between the equipment and the receiver; (3) Connect the equipment into an outlet on a circuit different from that which the receiver is connected; (4) Consult the dealer or an experienced radio/TV technician for help.

This device complies with Part 15 of the FCC rules and Standard C108.8-M1983 of the Canadian Standards Association's Regulations. Operation is subject to two conditions: (1) This device may not cause harmful interference, and (2) This device must accept any interference received including interference that may cause undesired operation.

CAUTION: Only equipment with shield-grounded cables (computer input-output devices, terminals, printers, etc.) certified to comply with appropriate FCC limits can be attached to this device. Operation with non-certified equipment may result in communications interference. Changes or modifications not expressly approved by the party responsible for compliance could void user's authority to operate the device.

This digital apparatus does not exceed the class B electromagnetic noise emission limits for digital apparatus as defined in the radio interference regulations of the Canadian Department of Communications. Le présent appareil numérique n'émet pas de bruits radioélectriques dépassant les limites applicables aux appareils numériques de Classe B prescrites dans le règlement sur le brouillage radioélectriques édicté par le Ministère des Communications du Canada.

WARNING

Installation information in this document is for reference only. All installation of internal optional devices or equipment, including third-party optional devices or equipment, should be performed by an authorized Commodore dealer/service centre. Also, all servicing or upgrading of original or optional devices or equipment, including third-party optional devices or equipment, should be performed by an authorized Commodore dealer/service centre. Unauthorized installation or servicing may void your warranties.

This manual provides a general description of various product configurations and features currently planned for inclusion in Commodore's product line. The configurations and features described may not be available or otherwise apply to your particular system. Please consult your Commodore dealer with any questions.

Introducing your Monitor

Your monitor is full-colour, 13-inch multi-sync monitor for use with the Commodore PC* and Amiga family of computers. The monitor provides audio output in stereo for use with computer system with stereo capabilities (like the Amiga computers). This manual explains how to connect the monitor to your computer and how to use the various operating modes and picture controls.

Before you proceed any further, check to make sure you have received everything:

- One monitor with captive video cable. The free end of this cable has 15-pin male connector flanked by screws, which connect to your computer's video port. For connection to an Amiga's 23-pin video port, a 23- to 15-pin adapter/buffer should be used, Commodore P/N: 390682-01.
- Tilt/Swivel Base
- Cables:
 - For connecting an Amiga's audio capabilities - one cable with two RCA plugs on each end.
 - Power cable for connecting the monitor to an AC power source.
- Warranty card

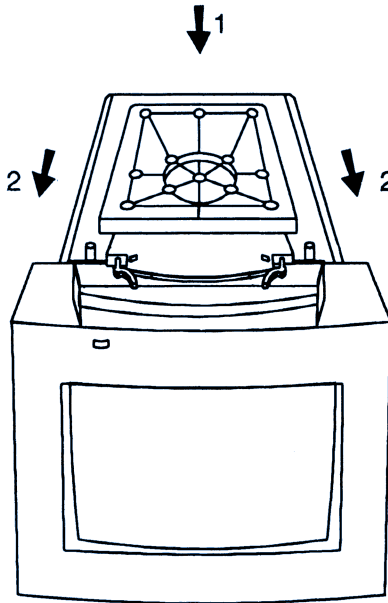
* Display size is larger than normal VGA 13" monitors.

How to Install or Remove a Tilt/Swivel Stand

1. Turn off the system and all attached options.
2. Carefully set the display upside down.

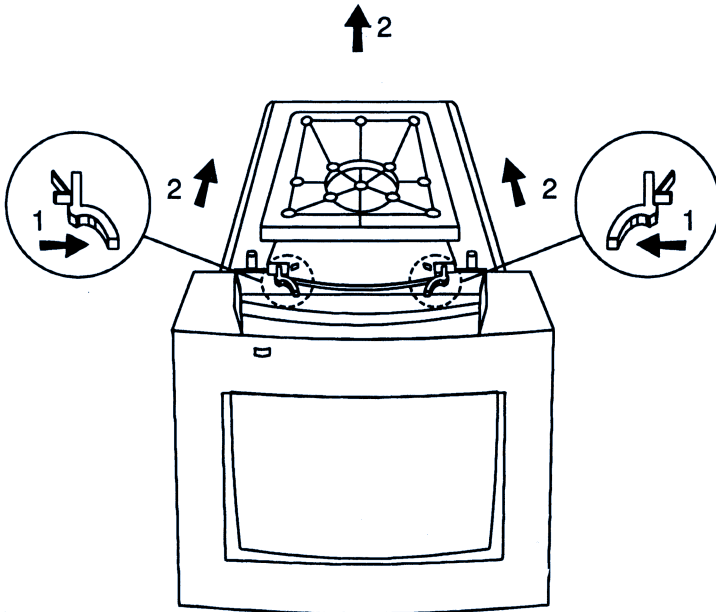
Installing the Tilt/Swivel Stand

1. Align the stand with the slots in the bottom of the display and insert the Tilt/Swivel Stand into the slots.
2. Pull the Tilt/Swivel Stand firmly toward the front of the display until the latches click into the locked position.



Removing the Tilt/Swivel Stand

1. Squeeze and hold the latches.
2. Push the Tilt/Swivel Stand to the back of the display and lift to remove the stand.



Control Locations and Functions

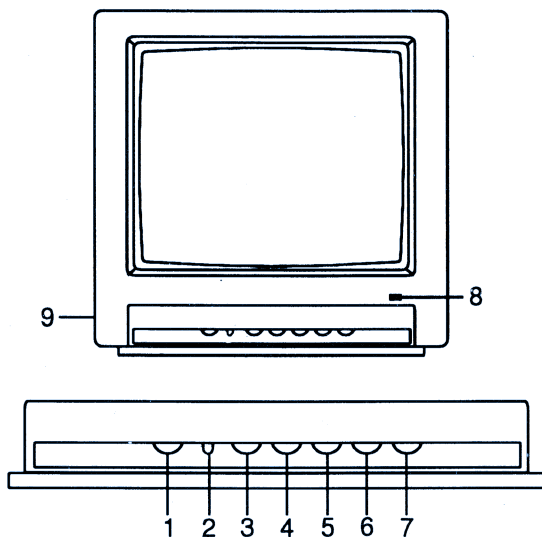
Before you connect your monitor to your computer, you should familiarize yourself with the location and function of the various control knobs, switches, and ports on both the front and rear of the monitor.

Front View

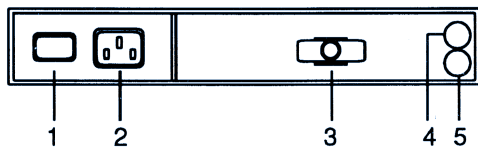
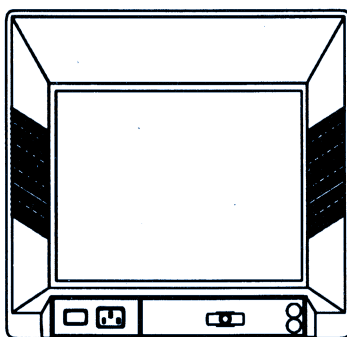
1. **VOLUME** – Adjusts speaker loudness.
2. **H. WIDTH** – A switch used to alternate between normal image width and overscan width.
3. **VERTICAL SIZE** – Adjusts image height.
4. **VERTICAL SHIFT** – Adjusts the image vertical position for proper centering.
5. **CONTRAST** – Adjusts display contrast.
6. **BRIGHTNESS** – Adjusts the brightness.
7. **H. PHASE** – Adjusts the image horizontal position for proper centering.
8. **LED** – Power-on indicator.
9. **PHONE JACK** – Use for external headphones.

Rear View

1. **POWER SWITCH** – AC on/off.
2. **POWER SOCKET** – Power input terminal.
3. **RGB CABLE** – One end is permanently attached to the monitor. The free end has a 15-pin male D-connector which connects to your computer's video port.
4. **AUDIO-R** – A black phone jack used for connecting the right audio signal input.
5. **AUDIO-L** – A white phono jack used for connecting the left audio signal input.



Front view

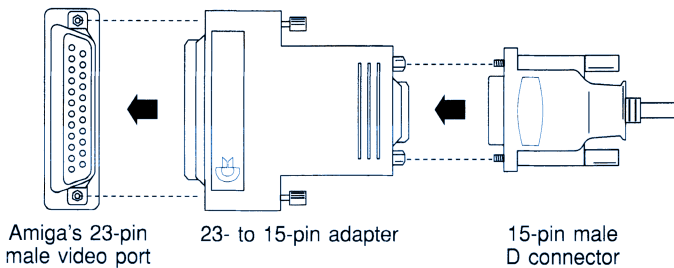


Rear view

Connecting the Monitor to a Computer

Turn off the power to both the monitor and the computer to prevent damage. Unplug the computer and the monitor before installation. Installing the monitor with the power on could cause injury to the installer and damage to the equipment. Commodore will not assume responsibility for any damages caused by improper installation of the monitor. Such improper installation will void the warranties on both the computer and the monitor.

Connecting to Amiga Computers



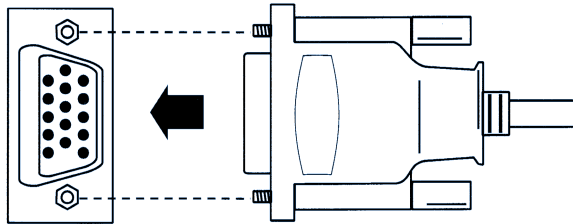
To connect the monitor, install the 23- to 15-pin adapter into the Amiga's video port, then install the 15-pin male D-connector of the monitor into the adapter as shown. Tighten the screws on each side of the connectors.

To connect the audio, locate the audio cable with one pair of phono plugs at each end of the cable. One pair of phono plugs is plugged into the **AUDIO R** and **AUDIO L** jacks on the back of your monitor, and the other pair of plugs is inserted into the Amiga's left and right audio jacks.

Using Headphones

You can connect headphones to your monitor so that stereo sounds generated by your Amiga computer can only be heard through the headset. To do this, simply insert the plug on the end of a standard headphone cable into the small port on the left side of the monitor. Headphones are not included with your monitor but should be readily available at most computer and electronics stores.

Connecting to Commodore PCs with Video Graphic Adapter (VGA)



VGA video
port

15-pin male
D connector

Connect the 15-pin male D-connector to the video output port of the computer. Tighten the screws on each side of the connector.

Safety Precautions

This monitor has been engineered and manufactured to assure your personal safety. However, improper use can result in potential electric shock or fire hazards. Please observe the following basic rules when using your monitor. Also, heed all warnings and instructions marked on the monitor's cabinet.

Do not attempt to service the monitor yourself. Opening or removing covers may expose you to dangerous voltages or other hazards. Dangerous high voltage is present even when the monitor is unplugged. Refer all servicing to qualified personnel.

Do not overload AC outlets or extension cords. This may result in a shock or fire hazard.

Do not use more than one plug adaptor in one power outlet.

Do not use the monitor near water or excessive moisture.

Do not block the monitor's ventilation slots by placing objects on top or underneath the monitor.

Do not place the monitor

- in a "built-in" enclosure unless proper ventilation is provided
- near or over a radiator or heat register
- where sunlight or bright room light will fall directly on the screen
- on a sloping shelf or try to mount it on a wall.

Do not use alcohol, ammonia-based products, or an aerosol spray to clean the monitor screen. To clean the screen, unplug the monitor and wipe with a slightly damp cloth.

Do not bring magnetic devices near the screen. They may damage the colour purity of the picture.

Unplug the monitor

- if you will not be using it for an extended period
- during an electrical storm
- before cleaning it

Technical Specifications

Your monitor's technical specifications are listed below. These specifications are subject to change without notice as required by product improvement.

CRT size 14" (90°)
(13" viewing area)

Dot pitch..... 0.39 mm dot matrix (1940)
0.28 mm dot matrix (1942)

Scanning Frequency

Horizontal..... 15.6-15.8 KHz
27.3-31.5 KHz

Vertical..... 47-75 Hz

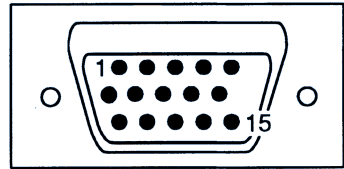
Signal Input	RGB/Analog, Separate sync
Input Signal Voltage.....	0.7 Vp-p RGB TTL level, H/V sync
Sound Output.....	1.0 W RMS/Channel at 5% max. THD
Audio Input Signal	177 mV RMS, 10 Kohm
Main Voltage*	120 VAC +/-10%, 60 Hz or 220-240 VAC +/-10%, 50 Hz
Power Consumption.....	75 W typical
Dimensions.....	368 (H) x 325 (W) x 376 (D) mm (with Stand)
Weight	11.4 kg (with Stand)

* Check rating label at the back of monitor.

Video Cable Connector Description

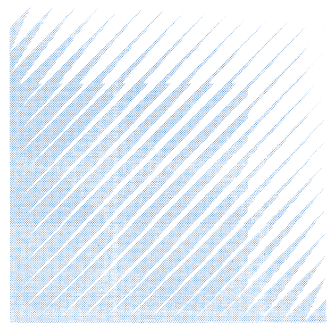
Each of the video cable connector's pins and functions are listed below:

Pin-No.	Function
1	Red
2	Green
3	Blue
4	No connection
5	Gnd
6	Red Return
7	Green Return
8	Blue Return
9	No connection
10	Digital Gnd
11	Digital Gnd
12	No connection
13	H.SYNC
14	V.SYNC
15	No connection



Benutzerhandbuch

Monitor 1940/42



 Commodore

WICHTIGE INFORMATIONEN

Bitte lesen Sie alle diese Informationen, bevor Sie das Gerät in Betrieb nehmen!

Lesen Sie sich außerdem die Bedienungsanleitung komplett und sorgfältig durch, da nur in diesem Fall eine problemlose Inbetriebnahme erwartet werden kann.

- Achten Sie darauf, daß das Gerät nur in eine 230V (220V) Schuko-Steckdose eingesteckt wird.
- Die Steckdose sollte jederzeit frei zugänglich sein um bei einem evtl. auftretenden Notfall das Gerät schnell vom Netz zu trennen.
- Achten Sie desweiteren darauf, daß die Netzanschlußleitung nicht mechanisch beansprucht oder sonstwie beschädigt wird.
- Öffnen Sie das Gerät niemals! Im Inneren befinden sich Teile mit gefährlicher Spannung.
- Bevor Sie das Gerät reinigen, ziehen Sie bitte den Netzstecker aus der Steckdose. Säubern Sie dann das Gerät mit einem feuchten (keinesfalls tropfnassen) Lappen.
- Stellen Sie das Gerät an einem ergonomisch günstigen Ort auf und sorgen Sie dafür, daß der Monitor mit nach ZH1/618/10.80 geprüfter Peripherie betrieben wird, da nur unter diesen Umständen ein optimaler ergonomischer Betrieb des Gerätes sichergestellt ist.

Falls Sie dennoch Fragen haben, auf die die Bedienungsanleitung keine hinreichende Antwort geben kann, so kontaktieren Sie bitte den nächsten Fachhändler.

Maschinenlärminformationsverordnung 3. GSGV, 18.01 1991:
Der arbeitsplatzbezogene Schalldruckpegel beträgt 70 dB (A) oder weniger gemäß ISO 7779.

Copyright © 1992 Commodore Electronics Limited. Alle Rechte vorbehalten. Ohne vorherige schriftliche Zustimmung von Commodore darf dieses Dokument weder ganz noch teilweise kopiert, fotokopiert, reproduziert, übersetzt oder in elektronisch oder maschinell lesbare Form gebracht werden.

In diesem Dokument enthaltene Beschreibungen der Produkte, ihrer Funktionsweise, Kompatibilität oder Verfügbarkeit dürfen weder als ausdrücklich noch als stillschweigend geltende Gewährleistung oder Garantie interpretiert werden. Commodore übernimmt keine Verantwortung oder Haftung für von Commodore oder Commodores Erfüllungsgehilfen gemachte oder in hiervon nachgedruckten Veröffentlichungen enthaltene Angaben oder Erklärungen. EINE SCHADENERSATZPFLICHT KANN UNTER KEINEN UMSTÄNDEN FÜR DIREKTE, INDIREKTE, ZUFÄLLIGE SCHÄDEN ODER FOLGESCHÄDEN GELTEND GEMACHT WERDEN, DIE AUFGRUND IN DIESEM DOKUMENT ENTHALTENER ERKLÄRUNGEN ENTSTANDEN SIND, SELBST WENN AUF DIE MÖGLICHKEIT DERARTIGER SCHÄDEN HINGEWIESEN WORDEN IST. EINIGE LÄNDER GESTATTEN DEN AUSSCHLUSS ODER DIE BEGRENZUNG DERARTIGER GEWÄHRLEISTUNGEN ODER SCHADENERSATZPFLICHT NICHT, SO DASS O. G. AUSSCHLUSS ODER BEGRENZUNG IN DIESEN LÄNDERN MÖGLICHERWEISE NICHT GELTEN.

Commodore und das Commodore Logo sind in den USA und vielen anderen Ländern eingetragene Warenzeichen der Commodore Electronics, Ltd. Amiga ist in den USA und vielen anderen Ländern ein eingetragenes Warenzeichen von Commodore-Amiga Inc.

VGA ist ein in den USA und vielen anderen Ländern eingetragenes Warenzeichen der International Business Machines Corporation.

ACHTUNG

Die in diesem Dokument aufgeführten Einbauhinweise sind ausschließlich für Nachschlagezwecke vorgesehen. Der Einbau von Zusatzgeräten und Erweiterungen - einschließlich der Zusatzgeräte und Erweiterungen von Fremdherstellern - sollte nur durch einen autorisierten Commodore-Amiga-Händler erfolgen. Ebenso müssen Service-Arbeiten an Grundgeräten, Zusatzgeräten und Erweiterungen - einschließlich der Zusatzgeräte und Erweiterungen von Fremdherstellern - von einem autorisierten Commodore-Service-Center oder einem autorisierten Commodore-Amiga-Händler durchgeführt werden. Unbefugte Einbau- oder Service-Arbeiten führen unter Umständen zum Garantieverlust.

Das vorliegende Handbuch gibt einen allgemeinen Überblick über verschiedene Produktkonfigurationen und Zusatzfunktionen, die in die Produktreihe von Commodore aufgenommen werden sollen. Die genannten Konfigurationen und Zusatzfunktionen sind möglicherweise nicht alle verfügbar oder wirken sich in verschiedenen Systemen unterschiedlich aus. Näheres hierzu kann beim zuständigen Commodore-Amiga-Händler erfragt werden.

1. Einführung

Der Monitor ist ein Farbmonitor (13 Zoll), der an einen Commodore PC* oder einen Amiga angeschlossen werden kann. Der Monitor verfügt auch über Audioanschlüsse für Stereoausgabe, über die der Monitor an einen Rechner mit entsprechenden Audioausgängen (z. B. Amiga) angeschlossen werden kann. In diesem Handbuch wird beschrieben, wie der Monitor an einen Computer angeschlossen wird und wie die verschiedenen Betriebsmodi und Bildeinstellregler verwendet werden.

Bevor Sie mit dem Aufstellen fortfahren, sollten Sie den Lieferumfang überprüfen. Zum Lieferumfang gehören:

- Ein Monitor mit Videoanschlußkabel. Dieser Monitor wird über einen 15poligen Stecker, der mit Befestigungsschrauben versehen ist, an die Videobuchse des Rechners angeschlossen. Für den Anschluß des Monitors an die 23polige Videobuchse eines Amiga ist ein 23-auf-15-Pol-Adapter (Commodore Teilenummer: 390682-01) erforderlich.
- Dreh-/Schwenkfuß
- Kabel:
 - Zum Anschließen an Audiogeräte: Ein Kabel mit Cinch-Steckern.
 - Ein Netzkabel zum Anschließen des Monitors an das Netz.
- Gewährleistungskarte

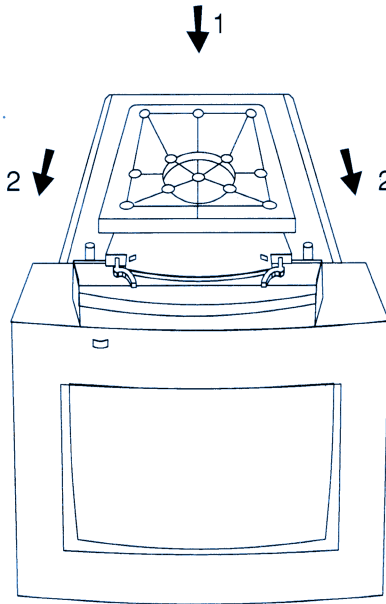
* Der Anzeigebereich ist größer als bei normalen 13-Zoll-VGA-Monitoren.

2. Montieren und Entfernen des Dreh-/Schwenkfusses

1. Schalten Sie das System und alle angeschlossenen Peripheriegeräte aus.
2. Drehen Sie den Monitor vorsichtig um.

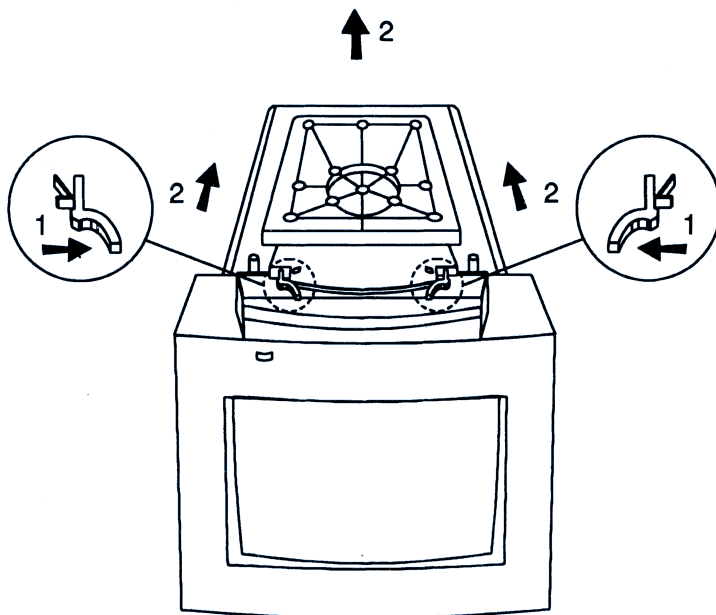
2.1 Montieren des Dreh-/Schwenkfusses

1. Richten Sie den Fuß an die Schlitzlöcher auf der Unterseite des Monitors aus und führen Sie ihn in die Schlitzlöcher ein.
2. Ziehen Sie den Dreh-/Schwenkfuß zur Vorderseite des Monitors, bis die Halteklammern einrasten.



2.2 Entfernen des Dreh-/Schwenkfusses

1. Drücken Sie die Halteklammern nach innen und halten Sie sie in dieser Position.
2. Schieben Sie den Dreh-/Schwenkfuß zur Rückseite des Monitors und nehmen Sie ihn ab.



3. Bedienelemente und Funktionen

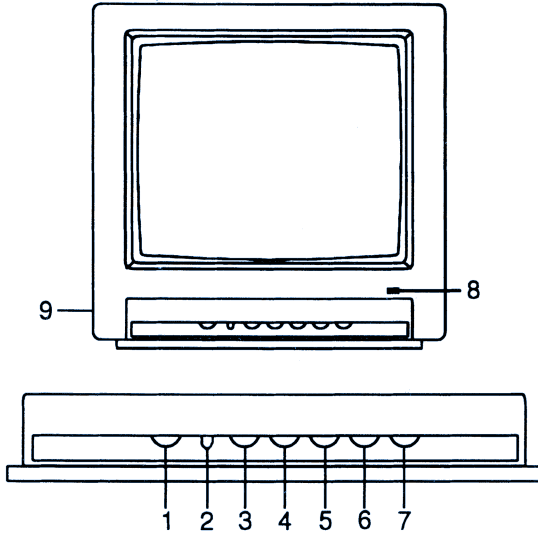
Bevor Sie den Monitor an Ihren Computer anschließen, sollten Sie sich mit Position und Funktion der verschiedenen Bedienelemente, Schalter und Anschlüsse an der Vorder- und Rückseite des Monitors vertraut machen.

Frontansicht

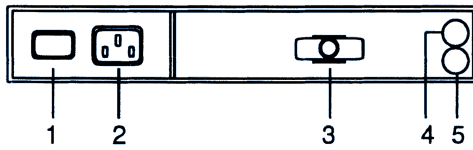
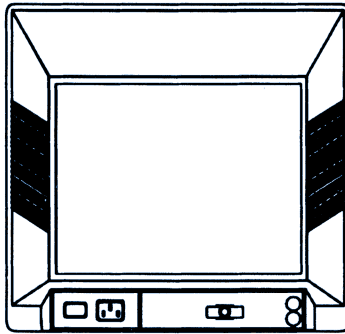
1. VOLUME – Einstellen der Lautstärke.
2. H. WIDTH – Schalter zum Wechseln zwischen normaler Bildbreite und Randbereichsbreite (Overscan).
3. VERTICAL SIZE – Einstellen der Bildhöhe.
4. VERTICAL SHIFT – Zentrieren des Bildes (vertikal).
5. CONTRAST – Einstellen des Kontrastes.
6. BRIGHTNESS – Einstellen der Helligkeit.
7. H. PHASE – Zentrieren des Bildes (horizontal).
8. LED – Netzkontrolleuchte.
9. PHONE JACK – Anschluß für externe Kopfhörer.

Rückansicht

1. POWER SWITCH – Netzschalter
2. POWER SOCKET – Netzanschluß
3. RGB CABLE – (Videoanschlußkabel) Ein Ende ist fest mit dem Monitor verbunden. Das freie Ende verfügt über einen 15poligen Submin-D-Stecker, der an die Videobuchse des Computers angeschlossen wird.
4. AUDIO-R – Eine schwarze Cinch-Buchse für das rechte Audio-Eingangssignal.
5. AUDIO-L – Eine weiße Cinch-Buchse für das linke Audio-Eingangssignal.



Frontansicht

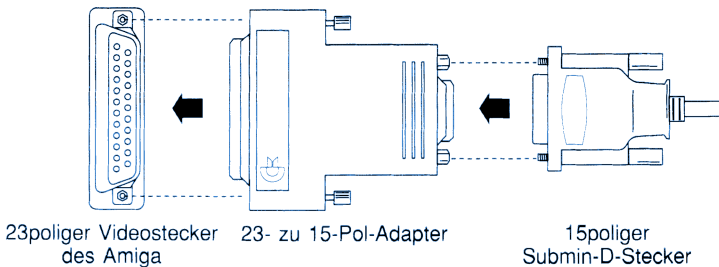


Rückansicht

4. Anschließen des Monitors an einen Computer

Schalten Sie zum Anschließen Monitor und Computer aus, um Schäden zu vermeiden. Trennen Sie Monitor und Computer vom Netz. Andernfalls können Unfälle durch Stromschläge oder Schäden am Gerät auftreten. Commodore übernimmt keine Haftung für Schäden, die auf eine unsachgemäße Vorgehensweise zurückzuführen sind. Unsachgemäße Vorgehensweise beim Aufstellen führt zum Garantieverlust für den Computer und den Monitor.

4.1 Anschließen an Amiga-Computer



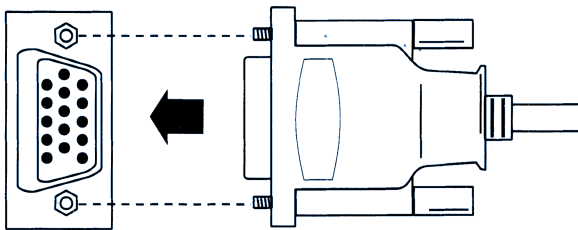
Stecken Sie zum Anschließen des Monitors zunächst den 23-auf-15-Pol-Adapter in den Videoanschluß des Amiga. Anschließend stecken Sie den 15-poligen Submin-D-Stecker in den Adapter (siehe Abbildung). Ziehen Sie die seitlich angeordneten Befestigungsschrauben an.

Nehmen Sie für die Tonverbindung das Audiokabel mit den Cinch-Steckern zur Hand. Stecken Sie ein Steckerpaar in die mit **AUDIO R** und **AUDIO L** (Rückseite des Monitors) gekennzeichneten Buchsen. Stecken Sie das andere Paar in die rechte und linke Audio-Buchse des Amiga.

4.1.1 Anschließen von Kopfhörern

An den Monitor können Kopfhörer angeschlossen werden. Dadurch können vom Amiga ausgegebene Stereo-Töne über Kopfhörer abgehört werden. Zum Anschließen müssen Sie den Stecker am Ende des Standardkopfhörerkabels in die kleine Buchse an der linken Seite des Monitors anschließen. Kopfhörer gehören nicht zum Lieferumfang. Sie sind jedoch in den meisten Computer- und Elektrofachgeschäften erhältlich.

4.2 Anschließen an Commodore PCs mit VGA-Adapter (Video Graphic Adapter)



VGA-Videoanschluß

15poliger
Submin-D-Stecker

Stecken Sie den 15poligen Submin-D-Stecker in die Videoausgangsbuchse auf der Rückseite des Rechners. Ziehen Sie die seitlich angeordneten Befestigungsschrauben an.

5. Sicherheitshinweise

Der Monitor ist so konstruiert, daß Unfälle grundsätzlich ausgeschlossen sind. Unsachgemäße Handhabung kann jedoch zu Kurzschlüssen führen. Beachten Sie bei der Arbeit mit Ihrem Monitor die folgenden Regeln. Beachten Sie auch alle Warnungen und Hinweise am Monitor.

Versuchen Sie nicht, den Monitor selbst zu warten. Beim Öffnen des Gehäuses besteht ggf. die Gefahr von elektrischen Schlägen. Selbst wenn der Monitor nicht an das Netz angeschlossen ist, liegt evtl. Hochspannung an. Daher sollten Sie alle Wartungsarbeiten qualifiziertem Fachpersonal überlassen.

Vermeiden Sie eine Überlastung des Stromnetzes. Dies kann zu Kurzschlüssen führen.

Verwenden Sie maximal einen Mehrfachstecker pro Wandsteckdose.

Vermeiden Sie Feuchtigkeit.

Die Lüftungsschlitze des Monitors **dürfen nicht** abgedeckt werden.

Folgende Punkte sind bei der Auswahl des Standorts des Monitors von Bedeutung:

- Eine gute Belüftung muß gewährleistet sein.
- Der Monitor darf nicht neben Wärmequellen (Heizung) aufgestellt werden.
- Direkter Lichteinfall ist zu vermeiden.
- Der Monitor muß auf einer stabilen, ebenen Fläche aufgestellt werden.

Verwenden Sie zum Reinigen des Monitors **nur** schonende Reinigungsmittel (kein Alkohol, Ammoniak etc.). Trennen Sie zum Reinigen den Monitor vom Netz und wischen Sie ihn mit einem feuchten Tuch ab.

Setzen Sie den Monitor **keinen Magnetfeldern** (große Trafos oder Elektromotore) aus. Magnetfelder wirken sich negativ auf die Farb-
anzeige aus.

Der Monitor muß in folgenden Fällen vom Netz getrennt werden:

- Bei längerer Außerbetriebnahme
- Bei Gewitter
- Vor dem Reinigen

6. Technische Daten

In der folgenden Tabelle sind die technischen Daten Ihres Monitors aufgeführt (Änderungen vorbehalten.).

Größe der Bildröhre	14 Zoll (90°)
	(13 Zoll sichtbarer Bereich)
Punktgröße	0,39 mm Punktmatrix (1940)
	0,28 mm Punktmatrix (1942)
Ablenkfrequenzen	
Horizontal	15,6-15,8 kHz
	27,3-31,5 kHz
Vertikal	47-75 Hz

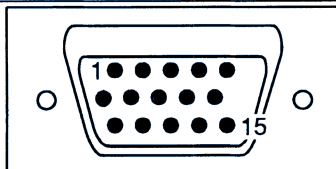
Signaleingang	RGB/Analog, separate Syncs
Signaleingangsspannung	0,7 V _{SS} TTL-Pegel bei H/V-Sync
Tonausgabe	1,0 W _{eff} /Kanal bei 5% max. Klirrfaktor
Audio-Eingangssignal.....	177 mV _{eff} , 10 kOhm
Versorgungsspannung*...	120 V (Wechselstrom) +/-10%, 60 Hz oder 220-240 V (Wechselstrom) +/-10%, 50 Hz
Leistungsverbrauch.....	75 W (Durchschnitt)
Maße	368 (H) x 325 (B) x 376 (T) mm (mit Fuß)
Gewicht.....	11,4 kg (mit Fuß)

* Siehe Angaben auf der Rückseite des Monitors.

7. Beschreibung des Videokabel-anschlusses

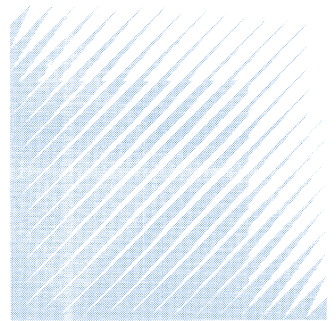
In der folgenden Liste sind die Pin-Belegungen und die zugehörigen Funktionen aufgeführt:

Pin-Nr.	Funktion
1	Rot
2	Grün
3	Blau
4	Nicht angeschlossen
5	Masse
6	Masse Rot
7	Masse Grün
8	Masse Blau
9	Nicht angeschlossen
10	Digitale Masse
11	Digitale Masse
12	Nicht angeschlossen
13	Horizontale Synchronisation
14	Vertikale Synchronisation
15	Nicht angeschlossen



Manuel de l'utilisateur

Moniteur 1940/42



 Commodore

Copyright © 1992 par Commodore Electronics Ltd. Tous droits réservés. Il est interdit de copier, photocopier, reproduire, traduire ou transposer sur un support électronique ou autre pouvant être exploité par une machine quelle qu'elle soit, tout ou partie de ce document sans autorisation préalable écrite de Commodore Electronics Ltd.

Par ce document, Commodore ne donne aucune garantie et ne fait aucune déclaration, expresse ou implicite, concernant les produits décrits ci-dessous. Les renseignements communiqués dans le présent document sont fournis "tels quels" et peuvent être modifiés sans préavis. **COMMODORE NE POURRA EN AUCUN CAS ETRE TENU POUR RESPONSABLE DES DOMMAGES DIRECTS, INDIRECTS OU ACCIDENTELS RESULTANT DE TOUTE RECLAMATION DECOULANT DES DECLARATIONS FAITES DANS LES PRESENTES, MEME SI LES RISQUES DE TELS DOMMAGES ONT ETE SIGNALES. CERTAINS ETATS NE RECONNAISSENT PAS L'EXCLUSION OU LA LIMITATION DE CES GARANTIES OU INDEMNITES, AUQUEL CAS LES EXCLUSIONS OU LIMITATIONS CI-DESSUS NE S'APPLIQUERAIENT PAS.**

Commodore et le logo de Commodore sont des marques déposées par Commodore Electronics Limited aux Etats-Unis et dans de nombreux autres pays. Amiga est une marque déposée par Commodore-Amiga, Inc. aux Etats-Unis et dans de nombreux autres pays.

VGA est une marque déposée d'International Business Machines Corporation.

AVERTISSEMENT

Les renseignements relatifs à l'installation contenus dans ce document ne sont communiqués qu'à titre de référence. Toute installation d'options ou d'appareils internes, y compris les options ou appareils de tiers, devra être exécutée par un technicien qualifié et expérimenté. Tous les travaux de réparation ou de modification de dispositifs ou d'appareils en option ou d'origine devront également être exécutés par un technicien qualifié et expérimenté. **TOUS TRAVAUX D'INSTALLATION, AINSI QUE TOUTES REPARATIONS OU MODIFICATIONS NON AUTORISEES POURRONT DONNER LIEU A UNE ANNULATION DES GARANTIES.**

Le présent manuel donne une description générale de diverses configurations et caractéristiques du produit qu'il est actuellement prévu d'introduire dans la gamme de produits Commodore. Il est possible que les configurations et caractéristiques décrites ne soient pas disponibles ou ne s'appliquent pas à votre système particulier. Veuillez soumettre vos questions éventuelles à votre revendeur Commodore.

Présentation du moniteur

Votre moniteur est un moniteur couleur multisync de 13 pouces destiné à être utilisé avec le Commodore PC* et la famille d'ordinateurs Amiga. Le moniteur présente une sortie audio en stéréo permettant son utilisation avec des systèmes informatiques dotés de fonctions stéréo (notamment les ordinateurs Amiga). Ce manuel explique comment connecter le moniteur à votre ordinateur et comment utiliser les divers modes d'exploitation et dispositifs de contrôle de l'image.

Avant de continuer, assurez-vous que le matériel est complet :

- Un moniteur avec câble vidéo prisonnier. L'extrémité libre de ce câble possède un connecteur mâle à 15 points et est muni de vis. Il se raccorde au port vidéo de votre ordinateur. Pour le raccorder à un port vidéo Amiga à 23 points, il faut utiliser un adaptateur/tampon 23-15 points, numéro de référence Commodore : 390682-01.
- Socle inclinable/pivotant
- Câbles :
 - Pour le raccordement des fonctions audio d'Amiga - câble muni de deux fiches RCA à chaque extrémité.
 - Cordon d'alimentation pour brancher votre moniteur sur une alimentation en courant alternatif.
- Carte de garantie

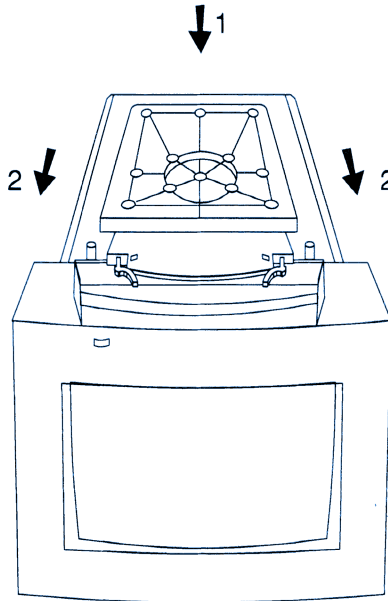
* La taille de l'affichage est supérieure à celle des moniteurs 13 pouces normaux.

Comment installer un socle inclinable/pivotant

1. Mettez le système et toutes les options raccordées hors tension.
2. Retournez précautionneusement l'écran face supérieure vers le bas.

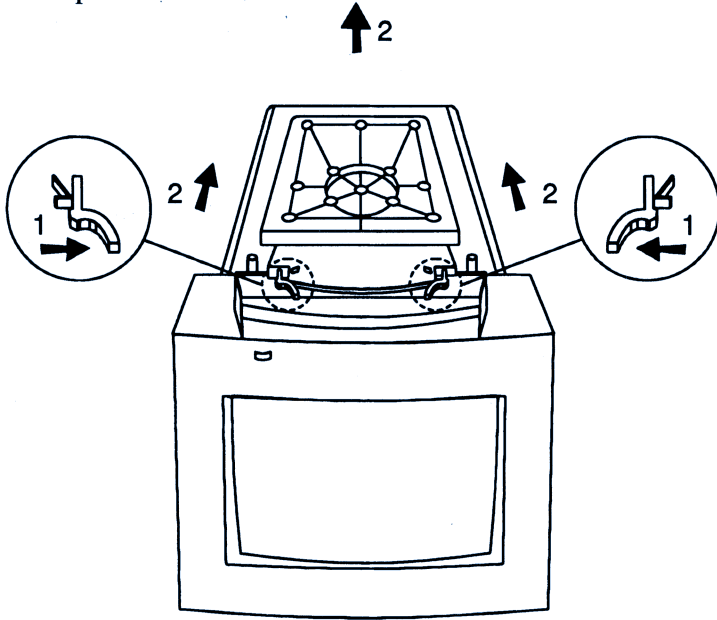
Mise en place du socle inclinable/pivotant

1. Alignez le socle avec les fentes pratiquées dans le fond de l'écran et insérez le socle inclinable/pivotant dans les fentes.
2. Tirez fermement le socle inclinable/pivotant vers l'avant de l'écran jusqu'à ce que les loqueteaux s'encliquettent en position verrouillée.



Enlèvement du socle inclinable/pivotant

1. Comprimez les loqueteaux et maintenez-les dans cette position.
2. Poussez le socle inclinable/pivotant vers l'arrière de l'écran et soulevez-le pour l'enlever.



Emplacement et fonctions des commandes

Avant de raccorder le moniteur à l'ordinateur, il est conseillé de se familiariser avec l'emplacement et la fonction des divers boutons de commande, interrupteurs et ports situés aussi bien sur la partie avant que sur la partie arrière du moniteur (voir le schéma).

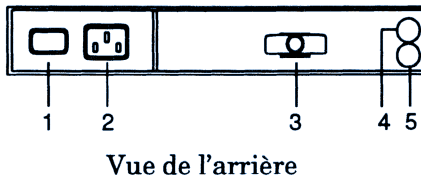
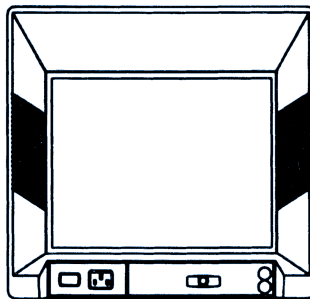
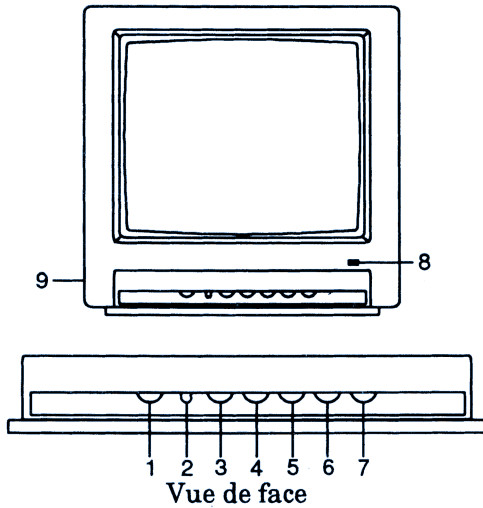
Vue de face

1. **VOLUME** – Réglage de l'intensité sonore du haut-parleur.
2. **H. WIDTH** – Commutateur permettant de passer de la largeur normale de l'image à la largeur de surbalayage et inversement.
3. **Dim. VERTICAL** – Réglage de la hauteur de l'image.
4. **DEPLACEMENT VERTICAL** – Réglage de la position verticale de l'image pour ajuster le centrage.
5. **CONTRASTE** – Réglage du contraste de l'affichage.
6. **LUMINOSITE** – Réglage de la luminosité.
7. **PHASE H.** – Réglage de la position horizontale de l'image pour ajuster le centrage.
8. **LED** – Voyant de mise sous tension.
9. **PHONE JACK** – Prise pour écouteurs extérieurs.

Vue de l'arrière

1. **POWER SWITCH** – CA marche/arrêt.
2. **POWER SOCKET** – Prise d'alimentation électrique.
3. **RGB CABLE** – Une extrémité est fixée en permanence au moniteur. L'extrémité libre possède un connecteur D mâle à 15 points qui se raccorde au port vidéo de votre ordinateur.

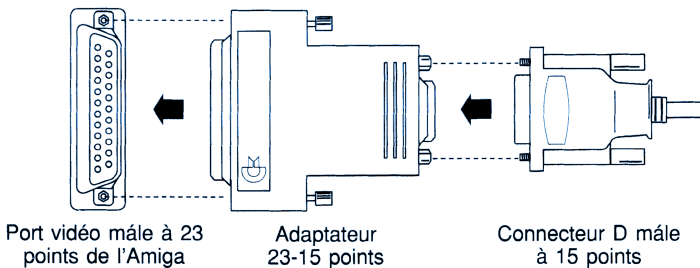
4. AUDIO-R – Jack phono noir utilisé pour connecter l'entrée du signal audio de droite.
5. AUDIO-L – Jack phono blanc utilisé pour connecter l'entrée du signal audio de gauche.



Raccordement du moniteur à un ordinateur

Eteignez le moniteur et l'ordinateur afin d'éviter tout dommage. Débranchez l'ordinateur et le moniteur avant l'installation. Dans le cas contraire, vous risquez de vous blesser et d'endommager le matériel. Commodore n'assume aucune responsabilité en cas de dégâts éventuels résultant d'une mauvaise installation du moniteur. Toute installation défectueuse entraînera l'annulation des garanties de l'ordinateur et du moniteur.

Branchement sur les ordinateurs Amiga



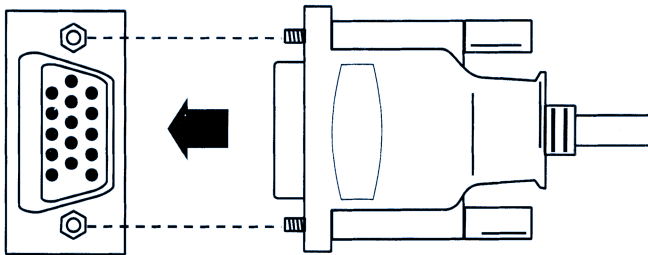
Pour brancher le moniteur, enfichez l'adaptateur 23-15 points dans le port vidéo de l'Amiga, puis enfichez le connecteur D mâle à 15 points du moniteur dans l'adaptateur comme illustré dans la figure. Serrez les vis de chaque côté des connecteurs.

Pour brancher l'audio, prenez le câble audio muni d'une paire de fiches phono à chaque extrémité. Enfichez une paire de fiches phono dans les jacks **AUDIO R** et **AUDIO L** à l'arrière du moniteur et l'autre paire de fiches dans les jacks audio gauche et droit de l'Amiga.

Utilisation d'écouteurs

Vous pouvez brancher des écouteurs de façon à n'entendre les sons stéréophoniques produits par l'ordinateur Amiga que dans les écouteurs. Il suffit pour cela d'introduire la fiche située à l'extrémité du câble d'un écouteur standard dans le petit port argenté du côté gauche du capot du moniteur. Le moniteur est livré sans écouteurs, mais il est facile de s'en procurer dans la plupart des magasins de matériel informatique et électronique.

Branchement à des ordinateurs personnels Commodore avec adaptateur graphique vidéo (VGA)



Port vidéo VGA

Connecteur D mâle
à 15 points

Enfichez le connecteur D mâle à 15 points dans le port de sortie vidéo de l'ordinateur. Serrez les vis de chaque côté du connecteur.

Précautions de sécurité

Ce moniteur a été conçu et fabriqué afin d'assurer la sécurité des utilisateurs. Toutefois, une mauvaise utilisation peut entraîner des risques d'électrocution ou d'incendie. Il convient d'observer les règles de base suivantes lorsque vous utilisez le moniteur. Tenez également compte de tous les avertissements et instructions portés sur le capot du moniteur.

N'essayez pas de réparer vous-même le moniteur. En cas d'ouverture ou d'enlèvement des couvercles, vous risquez de vous exposer à des tensions dangereuses ou autres dangers. Une haute tension dangereuse est présente même lorsque le moniteur est débranché. Pour toutes réparations, adressez-vous à des techniciens qualifiés.

Ne soumettez pas les sorties c.a. ou les rallonges à des surcharges, cela pouvant entraîner des risques d'électrocution ou d'incendie.

N'utilisez pas plus d'une fiche par prise de courant.

N'utilisez pas le moniteur à proximité d'eau ou de forte humidité.

N'obturez pas les grilles de ventilation du moniteur en plaçant des objets sur ou sous le moniteur.

Ne mettez pas le moniteur

- dans une enceinte fermée à moins qu'une bonne ventilation ne soit assurée
- à proximité de ou sur un radiateur ou source de chaleur

- à un endroit où la lumière du soleil ou une lumière artificielle intense tombe directement sur l'écran
- sur un plan incliné ou sur un mur.

N'utilisez pas d'alcool, de produits à base d'ammoniac ou en aérosol pour nettoyer l'écran du moniteur. Avant de nettoyer l'écran, débranchez le moniteur et essuyez l'écran avec un chiffon légèrement humide.

N'exposez pas l'écran à un champ magnétique car cela risquerait de nuire à la pureté des couleurs de l'image.

Débranchez le moniteur

- en cas d'inutilisation prolongée
- pendant une tempête électrique
- avant de procéder à son nettoyage.

Caractéristiques techniques

Les caractéristiques techniques du moniteur sont indiquées ci-dessous. Elles peuvent être modifiées sans préavis.

Taille de l'écran	14" (90°) (zone de visualisation 13")
Densité des points	0,39 mm, matrice de points (1940) 0,28 mm, matrice de points (1942)

Fréquence de balayage

Horizontale	15,6-15,8 kHz
	27,3-31,5 kHz
Verticale.....	47-75 Hz

Entrée signal RVB/Analogique,
Sync séparé

Tension du signal d'entrée 0,7 Vc-c, RVB
niveau TTL, sync H/V

Sortie sonore 1,0 W RMS/voie à
5 % max. DHT

Signal d'entrée audio..... 177 mV efficaces, 10 Kohm

Tension secteur* 120 Vca +/-10 %, 60 Hz ou
220-240 Vca +/-10 %, 50 Hz

Consommation électrique.....75 W typique

Dimensions.....368 (h) x 325 (l) x 376 (p) mm
(avec socle)

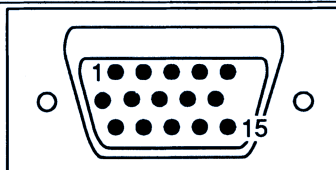
Poids 11,4 kg
(avec socle)

* Vérifiez l'étiquette au dos du moniteur.

Description du connecteur du câble vidéo

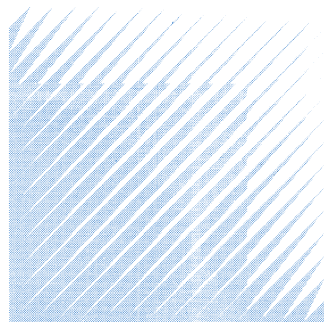
Les broches du connecteur du câble vidéo et leurs fonctions sont indiquées ci-dessous :

Broche	Fonction
1	Rouge
2	Vert
3	Bleu
4	Non connecté
5	Terre
6	Rouge Retour
7	Vert Retour
8	Bleu Retour
9	Non connecté
10	Terre numérique
11	Terre numérique
12	Non connecté
13	Synchronisation horizontale
14	Synchronisation verticale
15	Non connecté



Guía del usuario

Monitor 1940/42



 **Commodore**

Copyright © 1992 Commodore Electronics Ltd. Reservados todos los derechos. Queda prohibida la copia, fotocopia, reproducción, traducción o reducción de este documento, en parte o en su totalidad, a cualquier soporte electrónico o forma legible por máquina, sin permiso previo y por escrito de Commodore Electronics Ltd.

Commodore declina toda garantía o responsabilidad, explícita o implícita, en relación a los productos descritos en este documento. La información de este documento se facilita "tal cual" y es expresamente susceptible de ser modificada sin previo aviso. EL USUARIO ASUME TODO RIESGO DERIVADO DE LA UTILIZACIÓN DE ESTA INFORMACIÓN. COMMODORE NO SERÁ RESPONSABLE EN NINGÚN CASO DE LOS DAÑOS DIRECTOS, INDIRECTOS, FORTUITOS O DERIVADOS RESULTANTES DE RECLAMACIONES ORIGINADAS EN LAS MANIFESTACIONES HECHAS AQUÍ, INCLUSO EN EL CASO DE HABER RECIBIDO ADVERTENCIA DE LA POSIBILIDAD DE TALES DAÑOS. ALGUNOS PAÍSES NO PERMITEN LA EXCLUSIÓN O LIMITACIÓN DE TALES GARANTAS O DAÑOS, POR LO QUE LO ANTERIORMENTE EXPUESTO PUEDE NO APLICARSE EN SU CASO.

Commodore y el logotipo de Commodore son marcas registradas de Commodore Electronics Limited en los Estados Unidos y en muchos otros países. Amiga es una marca registrada de Commodore Amiga, Inc. en los Estados Unidos y en muchos otros países.

VGA es una marca registrada de International Business Machines Corporation.

AVISO

La información de instalación que contiene el presente documento es sólo de consulta. La instalación y el manejo de los dispositivos o el equipamiento internos opcionales, incluyendo los de otras compañías, así como el servicio técnico y la actualización de los mismos, debe ser competencia del personal técnico autorizado de Commodore. La instalación, la prestación de servicios técnicos y la actualización no autorizados pueden causar la anulación de las garantías.

Este manual contiene una descripción general de las configuraciones y características de diversos productos que en la actualidad Commodore piensa incluir en su línea de producción. Dichas configuraciones y características pueden no estar disponibles o no resultar válidas para el sistema informático del que usted disponga. Si tiene alguna duda, le rogamos se ponga en contacto con el distribuidor de Commodore.

Introducción

El monitor que ha adquirido es un monitor en color multisíncrono de 13 pulgadas destinado a la familia de sistemas Amiga y Commodore PC*. Dispone de salida audio en estéreo para su utilización en equipos dotados con funciones estéreo (como es el caso de los sistemas Amiga). Este manual explica cómo conectar el monitor al equipo informático y cómo utilizar las distintas modalidades de funcionamiento y los controles de visualización.

Antes de continuar con este documento, asegúrese de haber recibido lo siguiente:

- Un monitor con un cable de vídeo conectado de forma permanente. El extremo libre del cable tiene un conector macho de 15 patillas con un tornillo a cada lado para conectar el monitor a la puerta de vídeo del sistema. Para conectar el monitor a una puerta de vídeo de 23 patillas de un sistema Amiga, es preciso utilizar un almacenamiento intermedio/adaptador de 23 a 15 patillas (número de pieza 39068201 de Commodore).
- Base inclinable giratoria
- Cables:
 - Para la conexión con sistemas Amiga dotados de funciones de audio, un cable con dos conectores RCA a cada extremo.
 - Un cable de alimentación para conectar el monitor a una fuente de alimentación CA.
- Una tarjeta de garantía

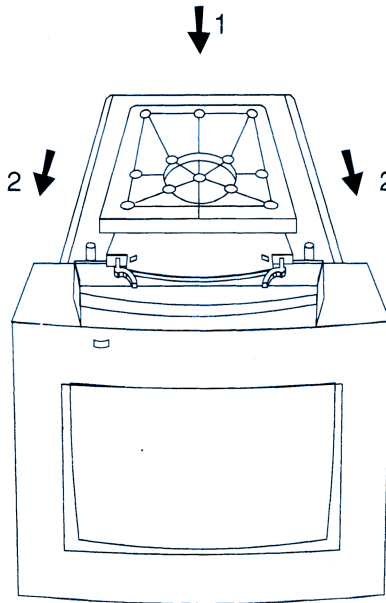
* El tamaño de la pantalla es mayor que los monitores VGA 13" normales.

Instalación y extracción de la base inclinable giratoria

1. Desconecte el sistema y todas las opciones que están conectadas.
2. Coloque el monitor boca abajo.

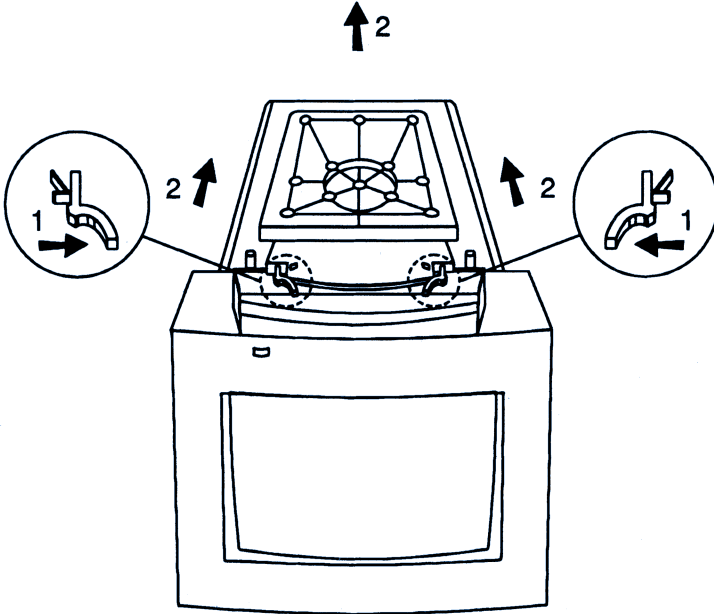
Instalación de la base inclinable giratoria

1. Alinee el pie con las ranuras situadas en la parte inferior del monitor e inserte la base en dichas ranuras.
2. Empuje el pie hacia abajo y, después, hacia delante hasta que los enganches queden trabados en el armazón.



Extracción de la base inclinable giratoria

1. Apriete y sujete los enganches.
2. Empuje el pie hacia la parte posterior del monitor y tire hacia arriba para extraer la base.



Funciones y posición de los controles

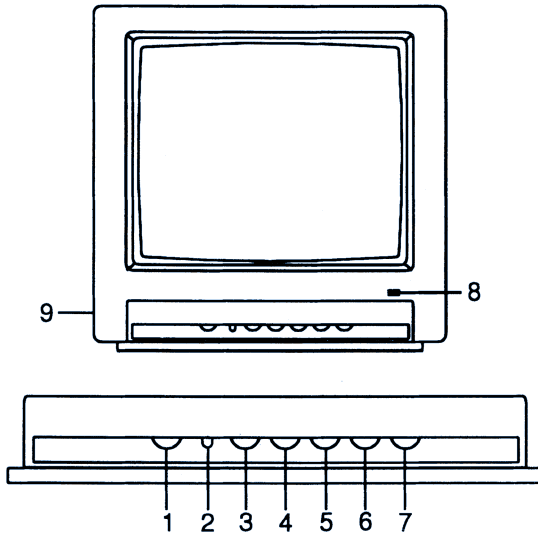
Antes de conectar el monitor al sistema, es aconsejable que se familiarice primero con la posición y las funciones de los distintos mandos, interruptores y puertos situados tanto en la parte frontal como en la parte posterior del monitor.

Vista frontal

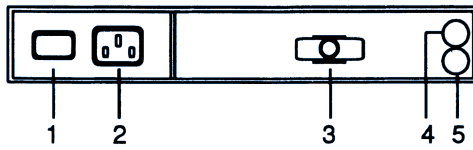
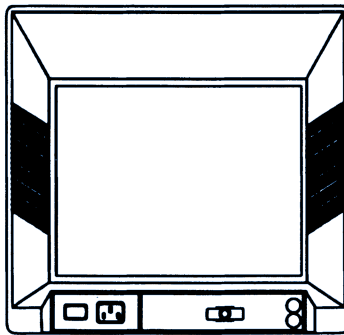
1. **VOLUMEN** – Ajusta la intensidad del altavoz.
2. **ANCHURA HORIZONTAL** – Alterna entre una anchura de imagen normal y una imagen ampliada.
3. **TAMAÑO VERTICAL** – Ajusta la altura de la imagen.
4. **CENTRADO VERTICAL** – Ajusta la posición vertical de la imagen para obtener un centrado correcto.
5. **CONTRASTE** – Ajusta el contraste de la pantalla.
6. **BRILLO** – Ajusta el brillo de la pantalla.
7. **CENTRADO HORIZONTAL** – Ajusta la posición horizontal de la imagen para obtener un centrado correcto.
8. **LED** – Indicador de encendido.
9. **CONECTOR RCA** – Para el uso de auriculares externos.

Vista posterior

1. **INTERRUPTOR DE ALIMENTACION** – CA encendida/apagada (on/off).
2. **ZOCALO DE ALIMENTACION** – Terminal de entrada de alimentación.
3. **CABLE RGB** – Un extremo está conectado permanentemente al monitor. El extremo libre tiene un conector D macho de 15 patillas que conecta el monitor a la puerta de vídeo del sistema.
4. **ENTRADA DE AUDIO DERECHA** – Conector RCA negro que se utiliza para conectar la entrada derecha de la señal de audio.
5. **ENTRADA DE AUDIO IZQUIERDA** – Conector RCA blanco que se utiliza para conectar la entrada izquierda de la señal de audio.



Vista frontal

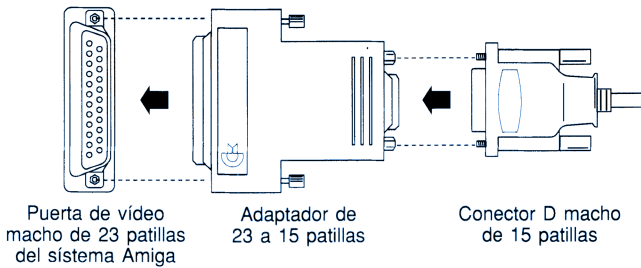


Vista posterior

Conexión del monitor al sistema

Apague el monitor y el sistema para evitar que sufran daños y antes de proceder con la instalación, desenchúfelos. Si continua la instalación con el monitor encendido podrá causar daños personales y originar desperfectos en el equipo. En ese caso, Commodore declina toda responsabilidad por los daños ocasionados como consecuencia de la instalación indebida del monitor. Asimismo, esta circunstancia sera motivo de anulación de las garantías del monitor y del sistema.

Conexión del monitor a sistemas Amiga



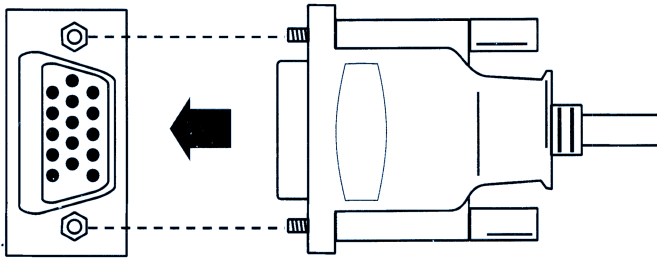
Para conectar el monitor, inserte el adaptador de 23 a 15 patillas en la puerta de vídeo del sistema Amiga y, a continuación, instale el conector D macho de 15 patillas del monitor en el adaptador, tal como se indica. Ajuste los tornillos situados a ambos lados de los conectores.

Para conectar el equipo de audio, tome el cable de audio que dispone de un par de enchufes en cada extremo. Conecte un par de enchufes en las **ENTRADAS DE AUDIO DERECHA E IZQUIERDA** situadas en la parte posterior del monitor y el otro par en las entradas de audio derecha e izquierda del sistema Amiga.

Utilización de auriculares

Puede conectar los auriculares al monitor para que el sonido estéreo que genera el sistema Amiga sólo se pueda escuchar a través los auriculares. Para ello, basta con insertar el enchufe situado al extremo de un cable de auriculares estándar en la pequeña puerta situada en la parte izquierda del monitor. Los auriculares no están incluidos en la compra del monitor, pero pueden adquirirse en cualquier establecimiento de venta de equipos electrónicos o informáticos.

Conexión del monitor a PCs Commodore con Adaptador de Gráficos en Pantalla (VGA)



Puerta de vídeo VGA

Conector D macho de 15 patillas

Inserte el conector D macho de 15 patillas en la puerta de salida de vídeo del sistema. Ajuste los tornillos situados a cada lado del conector.

Precauciones

Este monitor está diseñado y fabricado para garantizar su seguridad personal. No obstante, el uso indebido puede ser causa de descargas eléctricas o cortocircuitos. Siga las recomendaciones detalladas a continuación y preste atención a todos los avisos e instrucciones que figuran en la caja del monitor.

No intente reparar el monitor por su cuenta. La apertura o extracción de cubiertas puede provocar descargas eléctricas u otros accidentes fortuitos, incluso cuando el monitor está desconectado. Póngase en contacto con el personal cualificado para reparar el monitor.

No sobrecargue las tomas de CA ni los cables de extensión; puede ocasionar un cortocircuito.

No utilice más de un adaptador en cada toma de alimentación.

Mantenga el monitor **alejado** de los lugares húmedos y **evite** el contacto con el agua.

Procure **no** obstruir las ranuras de ventilación del monitor colocando objetos debajo o encima de éste.

No instale el monitor:

- en lugares cerrados a menos que dispongan de la ventilación adecuada
- cerca de radiadores o calefactores
- en habitaciones demasiado luminosas o que expongan la pantalla directamente a la luz solar
- sobre estanteras inclinadas ni paredes.

No utilice amoníaco, productos con alcohol, ni aerosoles para limpiar la superficie de la pantalla. Desconecte el monitor y utilice un paño suave humedecido con un detergente no abrasivo.

Evite el contacto de la pantalla con objetos magnéticos. Pueden dañar la nitidez del color de las imágenes.

Desconecte el monitor:

- si va a permanecer apagado durante un largo tiempo
- durante las tormentas
- antes de limpiarlo

Especificaciones técnicas

A continuación se detallan las especificaciones técnicas de este monitor. Estas especificaciones están sujetas a modificaciones sin previo aviso en función de las mejoras que se lleven a cabo en el producto.

Tamaño CRT	14" (90°)
	(área de visualización de 13")
Diámetro del punto.....	0,39 mm matriz de puntos (1940)
	0,28 mm matriz de puntos (1942)

Frecuencia de la exploración

Horizontal	15,6-15,8 Khz
	27,3-31,5 Khz
Vertical.....	47-75 Hz

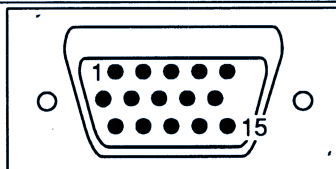
Entrada de señal.....	RGB/analógica, por separado
Voltaje de la entrada de señal.....	0,7 Vpp RGB Nivel TTL, Snc H/V
Salida de sonido	1,0 W RMS/Canal a 5% máx. THD
Señal de entrada de audio.....	177 mV RMS, 10 Kohm
Voltaje principal*	120 VAC +/-10%, 60 HZ o 220-240 VAC +/-10%, 50 Hz
Consumo de corriente	75 W normal
Dimensiones.....	368 (alto) x 325 (ancho) x 376 (fondo) mm (incluyendo el pie)
Peso neto	11,4 kg (incluyendo el pie)

* Compruebe el tipo de voltaje en la etiqueta negra del monitor.

Descripción del conector del cable de vídeo

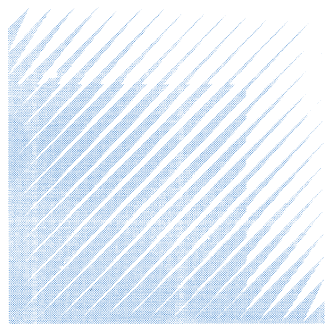
A continuación se indican las funciones y las patillas del conector del cable de vídeo:

Patilla	Función
1	Rojo
2	Verde
3	Azul
4	Sin conectar
5	Toma de tierra
6	Toma de tierra de vídeo de color rojo
7	Toma de tierra de vídeo de color verde
8	Toma de tierra de vídeo de color azul
9	Sin conectar
10	Toma de tierra digital
11	Toma de tierra digital
12	Sin conectar
13	Sincronismo horizontal (H.SYNC)
14	Sincronismo vertical (V.SYNC)
15	Sin conectar



Manuale utente

Monitor 1940/42



 Commodore

Copyright © 1992 della Commodore Electronics Limited. Tutti i diritti sono riservati. Questo documento non può essere, in tutto o in parte, copiato, fotocopiato, riprodotto, tradotto o ridotto in qualsiasi forma o mezzo elettronico, senza previo consenso scritto della Commodore Electronics Limited.

La Commodore non presta alcuna assicurazione o garanzia, espressa o implicita, rispetto ai prodotti descritti in questo documento. Le informazioni contenute in questo documento sono fornite "COME SONO" ed espressamente soggette a modifica senza preavviso. Qualsiasi rischio derivante dall'uso di queste informazioni è a completo carico dell'utente. IN NESSUN CASO LA COMMODORE SARA' RESPONSABILE PER DANNI DIRETTI, INDIRETTI, ACCIDENTALI O CONSEGUENZIALI RISULTANTI DA QUALSIASI RECLAMO CHE POSSA SORGERE DALLE ASSERTIONI QUI PRESENTI, ANCHE SE C'E' STATA INFORMAZIONE SULLA POSSIBILITA' DI TALI DANNI. ALCUNI STATI NON PERMETTONO LA LIMITAZIONE DI TALI GARANZIE O DANNI, PERCIO' LE LIMITAZIONI DI CUI SOPRA NON SONO VALIDE.

Commodore e il logo Commodore sono marchi di fabbrica registrati della Commodore Electronics Limited negli Stati Uniti d'America ed in molti altri paesi. Amiga è un marchio registrato e Amiga-DOS, Bridgeboard, Kickstart e Workbench sono marchi della Commodore-Amiga, Inc. Hayes è un marchio registrato della Hayes Microcomputer Products, Inc. Centronics è un marchio registrato della Centronics Data Computer Corp. Motorola è un marchio registrato e 68040 e 68EC020 sono marchi della Motorola Inc. MultiSync è un marchio registrato della NEC Technologies Inc. ARexx è un marchio della William S. Hawes. MS-DOS è un marchio registrato della Microsoft Corporation.

VGA è un marchio registrato della International Business Machines Corporation.

ATTENZIONE

Le modalità di installazione contenute in questa guida sono esclusivamente orientative. Tutta l'installazione di apparecchiature o dispositivi opzionali interni, compresi i dispositivi e le apparecchiature opzionali di terzi, deve essere effettuata da personale di assistenza esperto. Inoltre, tutti i servizi di assistenza o tutte le espansioni di dispositivi o apparecchiature originali od opzionali, devono essere effettuati da personale di assistenza esperto. **L'INSTALLAZIONE O L'ASSISTENZA NON AUTORIZZATE ANNULLANO LE GARANZIE.**

Questo manuale fornisce le generalità pertinenti alle varie configurazioni e caratteristiche di prodotto previste per la linea dei prodotti Commodore. Le configurazioni e le caratteristiche descritte possono essere non disponibili o non applicabili al proprio particolare sistema. Per ulteriori informazioni contattare il fornitore Commodore.

Introduzione

Il monitor a colori da 13" dedicato al computer Commodore PC ed alla serie Amiga. Il monitor fornisce l'uscita stereo utilizzabile con i sistemi computer dotati di questa funzione (per esempio i computer Amiga). Questo manuale descrive le modalità di collegamento del monitor al computer, e le procedure d'uso per le configurazioni operative ed i controlli immagine.

Prima di procedere, verificare che tutti gli elementi seguenti siano presenti nell'imballo:

- Un monitor con cavo video integrato. L'estremità libera del cavo è dotata di connettore maschio a 15 pin con viti laterali, che si collega alla porta video del computer. Per il collegamento ad una porta video a 23 pin di Amiga, usare un adattatore 23-15 pin, codice Commodore: 390682-01.
- Base orientabile
- Cavi:
 - Per il collegamento delle funzioni audio di Amiga - un cavo con connettore RCA alle due estremità
 - Cavo di alimentazione per il collegamento del monitor ad una presa di alimentazione CA.
- Tagliando di garanzia

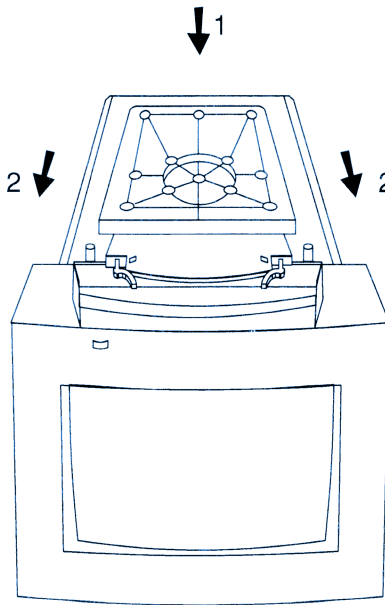
* La dimensione del video è maggiore rispetto ai monitor VGA da 13".

Installazione o rimozione della base orientabile

1. Spegnere il sistema e tutti i dispositivi opzionali collegati.
2. Capovolgere delicatamente il monitor.

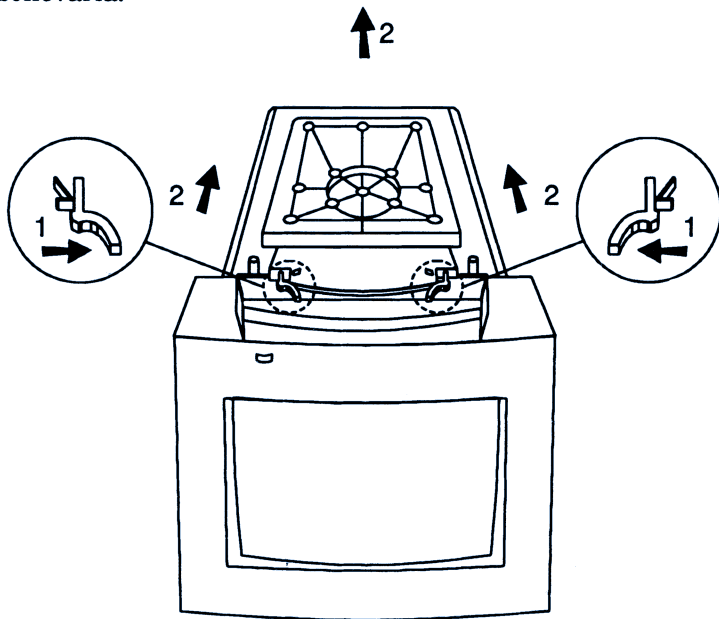
Installazione della base orientabile

1. Allineare la base alle feritoie poste sul pannello inferiore del monitor ed inserirla.
2. Spingere la base verso la parte anteriore del monitor sino ad avvertirne lo scatto di posizionamento.



Rimozione della base orientabile

1. Premere e tenere premuti i gancetti.
2. Spingere la base orientabile verso la parte posteriore del monitor e sollevarla.



Posizione e funzione dei controlli

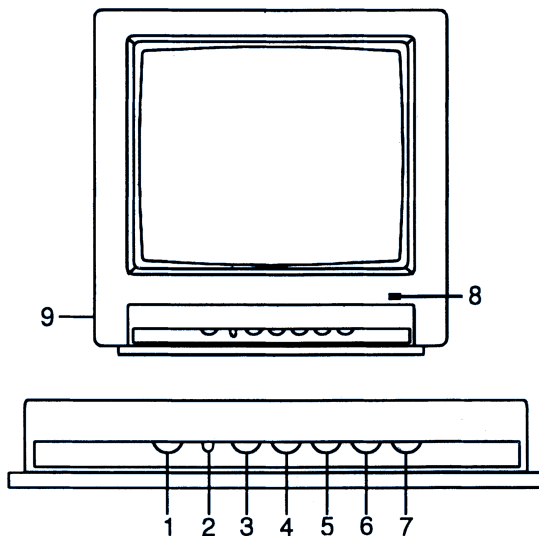
Prima di collegare il monitor al computer, localizzare la posizione e la funzione di controlli, interruttori e connettori sul pannello anteriore e posteriore del monitor.

Vista anteriore

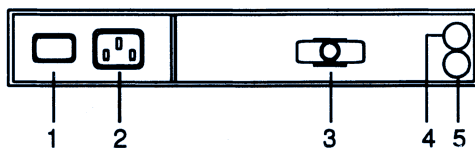
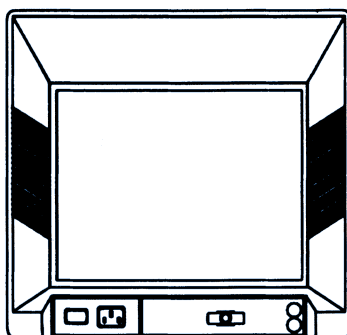
1. **VOLUME (VOLUME)** – Regola il volume dell'altoparlante.
2. **H. WIDTH (LARGHEZZA)** – Consente la commutazione fra l'immagine a larghezza finestra e l'immagine a larghezza pieno schermo.
3. **V. SIZE (DIMENSIONE VERTICALE)** – Regola l'altezza dell'immagine.
4. **V. SHIFT (CENTRATURA VERTICALE)** – Regola la centratura verticale dell'immagine.
5. **CONTRAST (CONTRASTO)** – Regola il contrasto dello schermo.
6. **BRIGHTNESS (LUMINOSITA')** – Regola la luminosità dello schermo.
7. **H. PHASE (CENTRATURA ORIZZONTALE)** – Regola la centratura orizzontale dell'immagine.
8. **LED** – Indicatore luminoso di alimentazione.
9. **PHONE JACK (PRESA CUFFIA)** – Usata per la cuffia.

Vista posteriore

1. **POWER SWITCH (INTERRUTTORE ALIMENTAZIONE)** – Alimentazione on/off.
2. **POWER SOCKET (ZOCOLO ALIMENTAZIONE)** – Connettore di ingresso alimentazione.
3. **RGB CABLE (CAVO RGB)** – Una estremità del cavo è collegata in modo permanente al monitor. L'estremità libera del cavo è dotata di connettore maschio profilato a D a 15 pin che si collega alla porta video del computer.



Vista anteriore



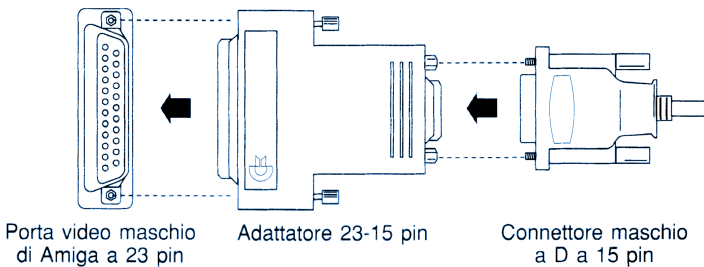
Vista posteriore

4. AUDIO-R – Connettore fono nero. Collega l'ingresso segnali audio destro.
5. AUDIO-L – Connettore fono bianco. Collega l'ingresso segnali audio sinistro .

Collegamento del monitor al computer

Spegnere il computer ed il monitor per evitare cortocircuiti. Prima dell'installazione, scollegare il computer ed il monitor per non provocare infortuni all'installatore e danneggiare l'apparecchiatura. La Commodore non si assume alcuna responsabilità per danni provocati da installazione inappropriata del monitor. L'installazione inappropriata annulla le garanzie del computer e del monitor.

Collegamento ai computer Amiga



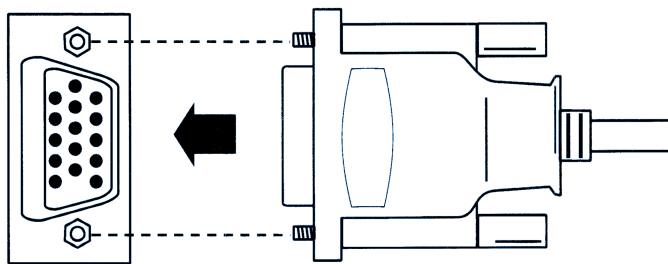
Per collegare il monitor, installare l'adattatore 23-15 pin nella porta video di Amiga, quindi collegare il connettore maschio profilato a D a 15 pin all'adattatore, come illustrato. Chiudere le viti ai lati del connettore.

Per il collegamento audio, localizzare il cavo audio dotato della coppia di spine fono alle due estremità. Due spine devono essere inserite nelle prese **AUDIO-R** e **AUDIO-L** sul pannello posteriore del monitor, e le altre due devono essere inserite nelle prese audio sinistra e destra di Amiga.

Uso della cuffia

Collegare la cuffia al monitor affinché i suoni stereo generati dal computer Amiga non siano diffusi nell'ambiente. Inserire la spina standard della cuffia nella presa piccola argentata sul lato sinistro della carrozzeria del monitor. La cuffia non è fornita in dotazione con il monitor, ma è disponibile presso i rivenditori di apparecchiature elettroniche.

Collegamento ai PC Commodore mediante l'adattatore VGA



Porta video VGA

Connettore maschio
a D a 15 pin

Collegare il connettore maschio profilato a D a 15 pin alla porta uscita video del computer. Chiudere le viti ai lati del connettore.

Precauzioni di sicurezza

Questo monitor è progettato e costruito conformemente alle norme antiinfortunistiche. Tuttavia, l'uso inappropriato può causare scosse elettriche o rischi di incendio. Osservare le seguenti regole d'uso fondamentali. Inoltre, prestare attenzione alle istruzioni ed agli avvisi applicati sulla carrozzeria del monitor.

Non eseguire alcuna riparazione. L'apertura o la rimozione delle coperture espone a tensioni pericolose od altri rischi. L'alta tensione e' presente anche a monitor scollegato. Per l'assistenza contattare personale qualificato.

Non sovraccaricare le prese CA o le prolunghe. Ciò può causare scosse o rischi di incendio.

Non usare più di un adattatore in una presa di alimentazione.

Non collocare il monitor presso rubinetti idrici od a luoghi con eccessiva umidità.

Non ostruire le feritoie di ventilazione ponendo oggetti sopra o sotto il monitor.

Non collocare il monitor

- in un armadio a muro privo di ventilazione appropriata
- presso o su un radiatore
- con lo schermo esposto a radiazione solare diretta
- su uno scaffale inclinato od appeso alla parete.

Non usare alcol, prodotti ammoniacali, o atomizzatori per pulire lo schermo. Per la pulitura, scollegare il monitor e strofinare con un panno leggermente umido.

Non avvicinare dispositivi magnetici allo schermo. Possono alterare la purezza del colore nell'immagine.

Scollegare il monitor

- se rimane inutilizzato a lungo
- durante un temporale
- prima della pulitura

Dati tecnici

Le specifiche tecniche del monitor sono le seguenti. Queste specifiche sono soggette a modifica senza preavviso conformemente al potenziamento del prodotto.

Tubo catodico	14" (90°)
	(area di visione 13")
Passo dei punti	Matrice di punti 0,39 mm (1940)
	Matrice di punti 0,28 mm (1942)
Frequenza di scansione	
Orizzontale	15,6-15,8 Khz
	27,3-31,5 Khz
Verticale.....	47-75 Hz

Ingresso segnale.....	RGB Analogico, Sinc. separata
Tensione segnale di ingresso.....	0,7 Vp-p, RGB Livello TTL, Sinc. O/V
Uscita suono.....	1,0 W RMS/canale 5% max THD
Segnale audio di ingresso.....	177 mV RMS, 10 Kohm
Tensione di rete*.....	120 VCA +/-10%, 60 Hz o 220-240 VCA +/-10%, 50 Hz
Consumo energetico.....	75 W tipico
Dimensioni.....	368 (H) x 352 (L) x 376 (P) mm (con base orientabile)
Peso.....	11,4 kg (con base orientabile)

* Verificare la targhetta dati sul pannello posteriore del monitor.

Descrizione del cablaggio video

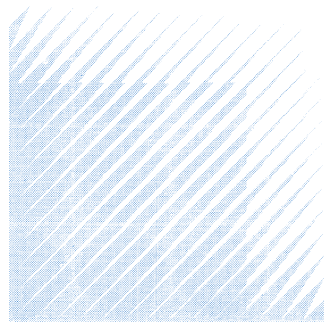
I pin e le funzioni del connettore per il cavo video sono:

N. Pin	Funzione
1	Rosso
2	Verde
3	Blu
4	Non collegato
5	Massa
6	Ritorno Rosso
7	Ritorno Verde
8	Ritorno Blu
9	Non collegato
10	Massa Digitale
11	Massa Digitale
12	Non collegato
13	Sinc. ORIZZONTALE
14	Sinc. VERTICALE
15	Non collegato



Gebruikershandleiding

Monitor 1940/42



 **Commodore**

Copyright © 1992 Commodore Electronics Ltd. Alle rechten voorbehouden. Dit document mag niet - in zijn geheel of gedeeltelijk - worden gekopieerd of gefotogekopieerd, er mogen geen reproducties van worden gemaakt, vertaald of naar wat voor elektronisch medium of d.m.v. een machine leesbare vorm op welke wijze dan ook worden overgezet, zonder voorafgaande schriftelijke toestemming van Commodore Electronics Ltd.

Met dit document verleent Commodore geen garantieverklaringen, expliciet noch impliciet, betr. de produkten die hierin worden beschreven. De hierin gepresenteerde informatie wordt verschaft op een "AS IS" basis en is uitdrukkelijk onderhevig aan veranderingen zonder aankondiging. IN GEEN GEVAL ZAL COMMODORE AANSPRAKELIJK ZIJN VOOR DIRECTE, INDIRECTE, TOEVALLIGE OF AFGELEIDE SCHADE, ALS GEVOLG VAN ENIGE CLAIM RESULTEREND UIT DE IN DEZE PUBLICATIE VOORKOMENDE BESCHRIJVINGEN, ZELFS WANNEER COMMODORE OP DE KANS OF HET OPTREDEN VAN SCHADE IS GEWEZEN. SOMMIGE LANDEN STAAN DE UITSLUITING OP BEPERKING VAN DERGELIJKE GARANTIEBEPALINGEN OF SCHADE NIET TOE, ZODAT IN VOORKOMEND GEVAL BOVENGENOEMDE UITSLUITINGEN OF BEPERKINGEN NIET VAN KRACHT ZIJN.

Commodore en het Commodore logo zijn geregistreerd handelsmerken van Commodore Electronics Limited in de USA en vele andere landen. Amiga is een geregistreerd handelsmerk van Commodore-Amiga, Inc. in de USA en vele andere landen.

VGA is een geregistreerd merk van de Internationale Business Machines Corporation.

WARNING

De informatie betreffende de installatie in dit document is uitsluitend ter de oriëntatie. Iedere installatie van toepasbare interne apparatuur of uitrusting inclusief toepasbare apparatuur en uitrustingen van derden moeten door een daartoe bevoegde Commodore handelaar/service station worden geïnstalleerd. Ook mogen alle instellingen of uitbreidingen van de originele of optionele apparatuur of uitrusting, inclusief die van derden uitsluitend door een geautoriseerde Commodore handelaar/service station worden uitgevoerd. Ongeautoriseerde installaties of instellingen kunnen uw garantie ongeldig maken.

Deze handleiding geeft een algemene beschrijving van verschillende produktinstellingen en eigenschappen die thans gepland staan om ingevoerd te worden in Commodore's productie-lijn. De configuraties en eigenschappen, die hier zijn beschreven, hoeven niet zonder meer verkrijgbaar te zijn of toepasbaar te zijn op uw specifieke systeem. Wilt u a.u.b. met alle vragen uw Commodore handelaar raadplegen.

Introductie van uw monitor

Uw monitor is een full-colour, 13-inch multi-sync monitor om te gebruiken bij de Commodore PC* en Amiga computerfamilie. De monitor heeft een audio uitgang in stereo voor de toepassing op computersystemen, die de toepassingsmogelijkheid op stereo hebben. (Zoals de Amiga computers). Deze handleiding maakt duidelijk hoe de monitor moet worden aangesloten aan de computer en hoe de verschillende werkmogelijkheden en de controle van de beelden gebruikt moeten worden.

Voordat u verder gaat, dient u zich ervan te verzekeren, dat u inderdaad alles heeft ontvangen.

- Een monitor met een vaste video kabel. Het vrije uiteinde van deze kabel beschikt over een 15-pins stekkercontact geflankeerd door schroeven, die aansluiten op uw computer's video port. Voor aansluiting op een Amiga's 23-pins video port, moet een 23- to 15-pins adapter/buffer worden gebruikt, Commodore P/N: 390682-01 worden gebruikt.
- 'Tilt/Swivel' Base - voet voor het heffen en draaien
- Kabels:
 - Voor het aansluiten op de audio mogelijkheden van Amiga - een kabel met twee RCA stekkers aan ieder uiteinde.
 - Een stroomkabel, om de monitor op het lichtnet aan te sluiten.
- Garantiekaart

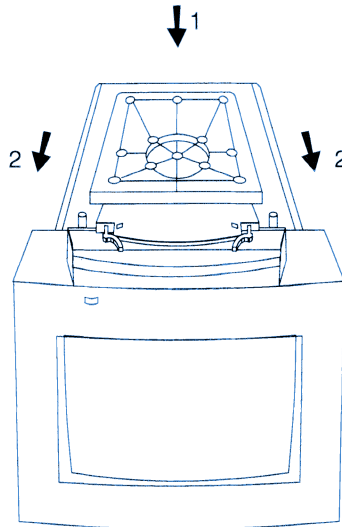
* De afmeting van de weergave is groter dan bij normale VGA 13" monitoren.

Hoe een 'Tilt/Swivel Stand' (hef/draai-voet) te installeren of te verwijderen

1. Schakel het systeem en alle aangesloten uit toepassingen.
2. Zet het beeldscherm voorzichtig ondersteboven.

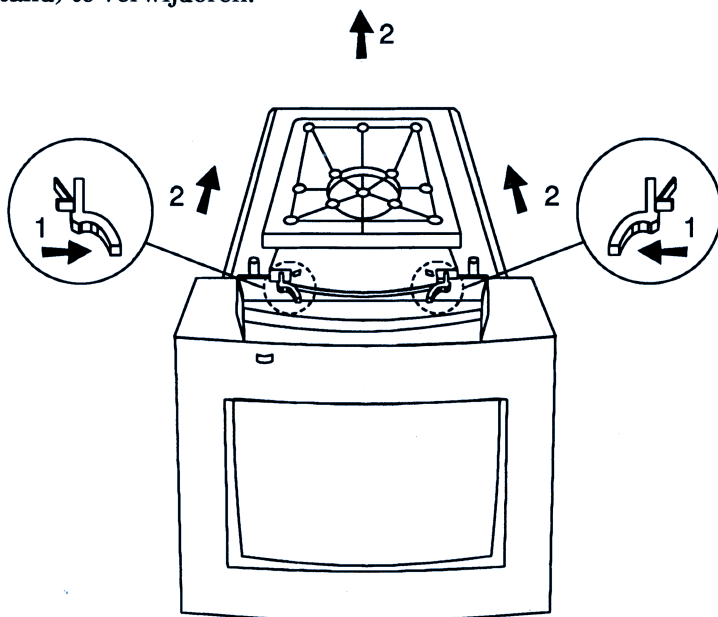
Installeer de 'Tilt/Swivel Stand' (hef/draai-voet)

1. Bevestig de voet met de sleuven aan de bodem van het scherm en schuif de 'Tilt/Swivel' (hef/draai-voet) in de slots.
2. Trek nu de 'Tilt/Swivel Stand' (hef/draai-voet) stevig naar de voorkant van het scherm aan totdat de haakjes in de slotpositie vast komen te zitten.



Het verwijderen van de 'Tilt/Swivel Stand' (voet)

1. Druk en houd de haakjes vast.
2. Druk vervolgens de 'Tilt/Swivel Stand' (hef/draai-voet) tot aan de achterkant van het scherm en trek hem omhoog om de voet (stand) te verwijderen.



Controle van posities en functies

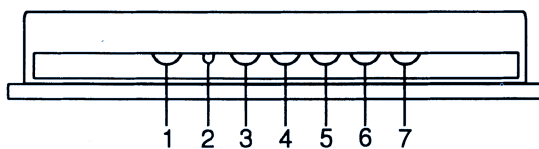
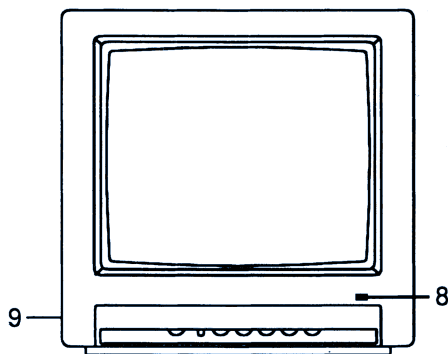
Voordat u uw beeldscherm op uw computer aansluit, is het raadzaam wanneer u zich met de posities en functies van de diverse controle toetsen, schakelaars en toegangspoorten, die zich aan de voor- en achterkant van uw monitor bevinden, vertrouwd maakt.

Voorzijde van de monitor

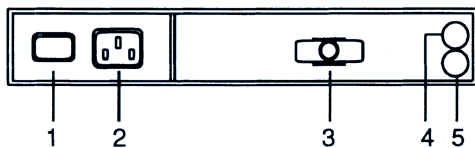
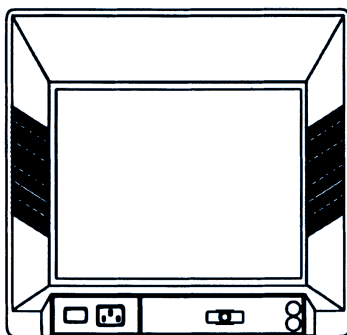
1. **VOLUME** – Past de geluidssterkte aan.
2. **H. WIDTH** – Een schakelaar om te wisselen tussen normale beeldbreedte en overscan breedte.
3. **V. SHIFT** – Past de beeldhoogte aan.
4. **VERTICAL SHIFT** – Past de beeldhoogte vertikaal aan t.b.v. een juiste centrering.
5. **CONTRAST** – Past het contrast van de visuele weergave aan.
6. **BRIGHTNESS** – Past de helderheid aan.
7. **H. PHASE** – Past de horizontale positie van het beeld aan t.b.v. een juiste centrering.
8. **LED** – In-bedrijf signaal.
9. **PHONE JACK** – Ter gebruik voor externe koptelefoons.

Achterzijde van de monitor

1. **POWER SWITCH** – AC aan/uit
2. **POWER SOCKET** – Stroominvoer station
3. **RGB CABLE** – Een uiteinde is permanent verbonden met de monitor. Het losse uiteinde is voorzien van een 15-pins (m.) D-verbindingstekker, die de aansluiting met de video toegangspoort tot stand brengt.
4. **AUDIO-R** – Een zwarte 'phone jack' gebruikt voor de aansluiting van de invoer van het rechter audio-sigitaal.
5. **AUDIO-L** – Een witte 'phone jack' gebruikt voor de aansluiting van de invoer van het linker audio-sigitaal.



Aanzicht voorzijde

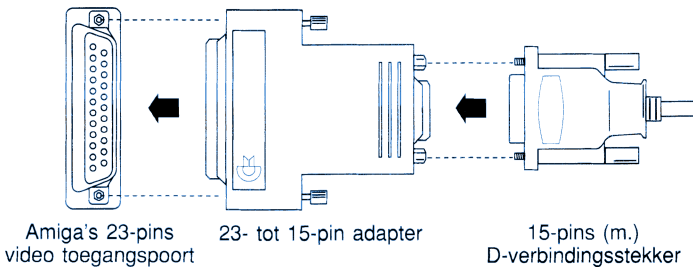


Aanzicht achterzijde

Aansluiting van de monitor op een computer

Schakel de netvoeding van zowel de monitor als van de computer uit ter voorkoming van schade. Verbreek de stekkerverbinding van de computer en de monitor volledig alvorens tot installatie over te gaan. Het installeren van de monitor terwijl deze onder stroom staat kan letsel veroorzaken aan de installateur en schade toebrengen aan de apparatuur. Commodore zal geen aansprakelijkheid aanvaarden voor enige schade, die veroorzaakt is door een foutieve installatie van de monitor. Door een dergelijke foutieve aansluiting vervalt de garantie op zowel de monitor als ook de computer.

Aansluiting op Amiga Computers



Om de monitor aan te sluiten dient de 23- tot 15-pins adapter in de Amiga video toegangspoort te worden gestoken. Vervolgens steekt u de 15-pins (m.) D-verbingsstekker van de monitor in de adapter, zoals afgebeeld. Draai de schroeven aan beide zijden van de verbingsstekkers aan.

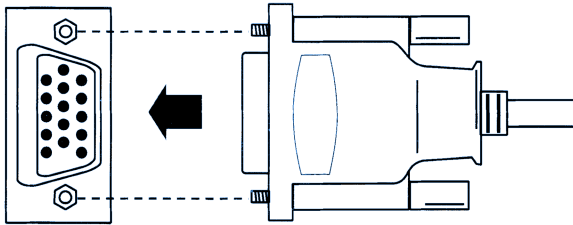
Voor aansluiting van het geluid neemt u de audiokabel met een paar phono stekkers aan elk uiteinde van de kabel. Een paar phono stekkers steekt u in respectievelijk de **AUDIO R** en **AUDIO L** ingang

aan de achterzijde van uw monitor, en het andere paar stekkers worden aangesloten in de linker en rechter audio ingang van de AMIGA.

Gebruik van de koptelefoon

U kunt de koptelefoon aansluiten op uw monitor, zodat de stereo-weergave van uw AMIGA computer uitsluitend via de koptelefoon te horen is. Hiervoor hoeft u niets anders te doen dan de stekker aan het uiteinde van de kabel van een normale koptelefoon in de kleine ingang aan de linkerkant van de monitor te steken. Een koptelefoon wordt niet geleverd bij uw monitor, maar deze is verkrijgbaar bij de meeste computer- en electronicawinkels.

Aansluiting op Commodore PC's met video-graphische adapter (VGA)



VGA video
toegangspoort

15-pins (m.)
D-verbindingstekker

Sluit de 15-pins (m.) D-verbindingstekker aan op de video uitvoerpoort van de computer. Draai de schroeven aan beide zijden van de verbindingstekker aan.

Veiligheidsmaatregelen

Deze monitor is gebouwd en geproduceerd om uw eigen veiligheid zo goed mogelijk te waarborgen. Desalniettemin kan onjuist gebruik resulteren in gevaar voor elektrische schokken of brandgevaar. Neemt u derhalve de volgende grondregels in acht wanneer u van uw monitor gebruik maakt. Besteedt bovendien aandacht aan alle waarschuwingen en instructies die zijn aangegeven op de kast van de monitor.

Doe geen pogingen de monitor zelf te repareren. Door het openen of verwijderen van afdekkingen kunt u bloot komen te staan aan gevaarlijke voltages of andere gevaren. Gevaarlijk hoge voltages kunnen zelfs optreden wanneer de monitor niet op het lichtnet is aangesloten. Laat alle onderhoud over aan daartoe gekwalificeerd personeel.

De AC uitgangen en uitbreidingskabels mogen **niet** overbelast worden. Dit kan elektrische schokken of brandgevaar tot gevolg hebben.

Gebruik **niet** meer dan een adapter/stekker in een stroom uitgang.

Gebruik de monitor **niet** in de nabijheid van water of overmatige hoeveelheden vocht.

Vermijdt blokkering van de ventilatiesleuven door het plaatsen van voorwerpen bovenop of onder de monitor.

Plaats de monitor **niet**

- in een "ingebouwde" ruimte tenzij voldoende ventilatie aanwezig is
- vlakbij of boven een radiator of warmterooster
- waar zonlicht of scherp kamerlicht direkt op het scherm valt
- op een hellende plank, en tracht deze ook niet aan een muur te bevestigen.

Gebruik **geen** alcohol, produkten op ammoniak basis, of een aërosol spuitmiddel om het scherm van de monitor te reinigen. Voor reiniging dient u de aansluiting op het lichtnet te ontkoppelen en het scherm af te nemen met een licht vochtige doek.

Kom **niet** dicht in de buurt van het scherm met magnetisch geladen apparaten. Dit kan schade toebrengen aan de kleurechtheid van het beeld.

Ontkoppel de aansluiting van de monitor op het lichtnet

- wanneer u er voor langere tijd geen gebruik van zult maken
- gedurende een electrisch geladen storm
- voordat u het scherm gaat reinigen

Technische specificaties

De technische specificaties van uw monitor zijn hieronder aangegeven. Deze specificaties kunnen zonder nadere aankondiging aan wijzigingen onderhevig zijn als gevolg van noodzakelijke produktverbeteringen.

CRT omvang	14" (90°)
	(Display-gedeelte 13")
Puntenmatrix	0.39 mm (1940)
	0.28 mm (1942)
Aftast frequentie	
Horizontaal	15.6-15.8 Khz
	27.3-31.5 Khz
Verticaal.....	47-75 Hz

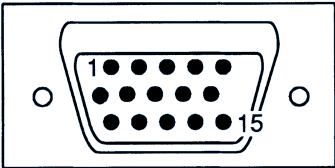
Signaal invoer	RGB/Analog, aparte sync
Invoersignaal Voltage.....	0.7 Vp-p RGB TTL level, H/V sync
Geluidsuitvoer.....	1.0 W RMS/kanaal bij 5% max. THD
Audio Invoersignaal.....	177 mV RMS, 10 Kohm
Hoofdspanning*	120 VAC +/-10%, 60 HZ or 220-240 VAC +/-10%, 50 Hz
Stroomverbruik	75 W typisch
Dimensies.....	368 (H) x 325 (W) x 376 (D) mm (met voet)
Gewicht.....	11.4 kg (met voet)

* Controleer het bordje voor de toelaatbare belasting aan de achterzijde van uw monitor.

Video Kabel-Connector-beschrijving

Ieder van de video kabel-connector-pins en functies zijn hier beneden beschreven:

Pin-No.	Functien
1	Rood
2	Groen
3	Blauw
4	Geen aansluiting
5	Gnd
6	Rode Return
7	Groene Return
8	Blauwe Return
9	Geen aansluiting
10	Digital Gnd
11	Digital Gnd
12	Geen aansluiting
13	H.SYNC
14	V.SYNC
15	Geen aansluiting



BESCHEINIGUNG DES HERSTELLERS

Hiermit wird bestätigt, dass der Video Monitor

COMMODORE 1940/42

in Übereinstimmung mit den Bestimmungen der

Amtsblattverfügung Nr. 1046/1984

funk-entstört ist.

Der Deutschen Bundespost wurde das Inverkehrbringen dieses Gerätes angezeigt und die Berechtigung zur Überprüfung der Serie auf Einhaltung der Bestimmungen eingeräumt.

COMMODORE BÜROMASCHINEN GMBH

CERTIFICATE OF THE MANUFACTURER

Herewith we certify that our device Video Monitor

COMMODORE 1940/42

corresponds to the regulations

Amtsblattverfügung Nr. 1046/1984

is eliminated of radio interference.

The German Bundespost has been informed that this unit is on the market and has got the right to check on the mass production if the limits are kept.

COMMODORE BUSINESS MACHINES LIMITED



 Commodore

